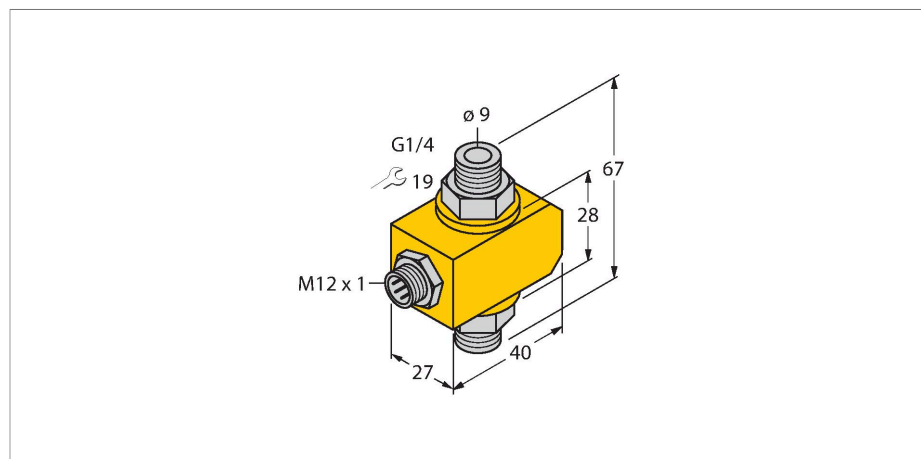


# FCI-D10A4P-NA-H1141

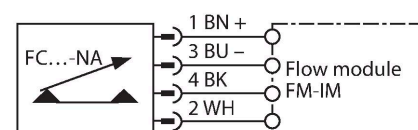
## Flow Monitoring – Inline Sensor without Integrated Processor



### Features

- Flow sensor for liquid media
- Calorimetric principle
- Adjustment via potentiometer on processor
- Status indicated via LED chain on signal processor
- Operating range 0.1...6 l/min
- No temperature monitoring
- Connector device, M12 × 1
- 4-wire connection to the processor

### Wiring diagram



### Technical data

ID	6870629
Type	FCI-D10A4P-NA-H1141
<b>Mounting</b>	<b>Inline sensor</b>
Flow operating range	0.1...6 l/min
Stand-by time	5 s
Switch-on time	0.5...1 s
Switch-off time	0.5...1 s
Temperature jump, response time	max. 12 s
Temperature gradient	≤ 400 K/min
Medium temperature	0...+80 °C
Ambient temperature	-20...+70 °C
<b>Electrical data</b>	
Protection class	IP67
<b>Mechanical data</b>	
Design	Inline
Housing material	Plastic, PBT
Sensor material	Stainless steel, 1.4571 (AISI 316Ti)
Max. tightening torque of housing nut	30 Nm
Electrical connection	Connector, M12 × 1
Process Pressure	20 bar
Process connection	G 1/4"

### Functional principle

The function of the inline flow sensors is based on the thermo-dynamic principle. Heat is generated in a measuring tube and absorbed by the flowing medium. The transported heat loss is thus a measure of the flow speed. Thus TURCK's wear-free flow sensors reliably monitor the flow of gaseous and liquid media. A low pressure drop and fast response to flow rate variations are the outstanding features of these devices.