

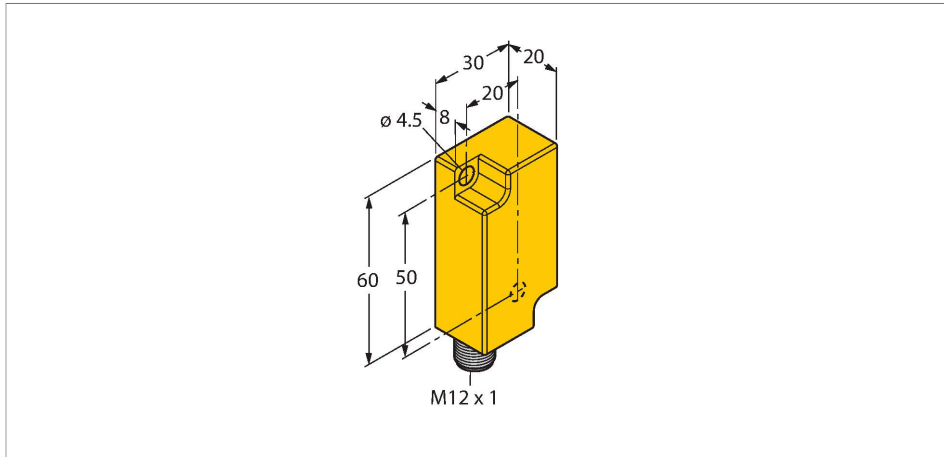
B1N360V-Q20L60-LI2-H1151/S1225 Inclinometer

Features

- Plastic, PC
- Measuring range adjustable via teach adapter TX1-Q20L60

Functional principle

Inclination is determined by a wear-free semiconducting sensor element.

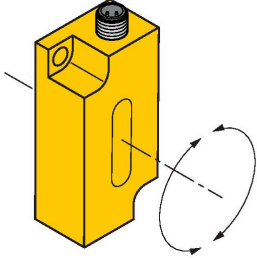


Technical data

Type	B1N360V-Q20L60-LI2-H1151/S1225
ID	1534053
Special version	S1225 corresponds to: Inclinometers: 6 Hz low-pass filter and level 2
Measuring principle	Acceleration
General data	
Measuring range	0...360 °
Number of measuring axes	1
Linearity deviation	≤ 0.6 %
Electrical data	
Mechanical data	
Design	Rectangular, Q20L60
Dimensions	60 x 30 x 20 mm
Housing material	Plastic, PC
Environmental conditions	
Ambient temperature	-30...+70 °C
Protection class	IP68 IP69K
MTTF	203 years acc. to SN 29500 (Ed. 99) 40 °C

Mounting instructions

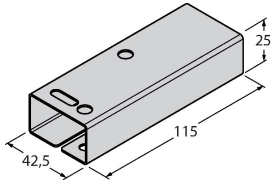
Mounting instructions/Description



Accessories

GUARD-Q20L60

A9684



Protective housing for Q20L60 inclinometers for protecting against mechanical impact; material: Stainless steel