



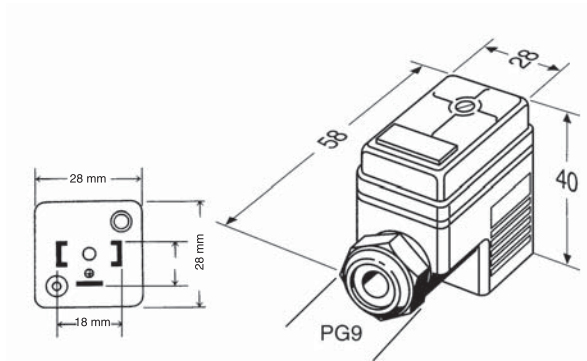
Identification	Type	LVER-V10-6509 24V/2A DC
	Part-No.	706509
Description	Adjustable male, form A (18 mm) Switching amplifier with and without galvanic insulation Ground wire terminator, short-circuit-proof, 0°–180° installation	
Technical data		
Type of function	Switching amplifier	
Protection device	Suppressor diode	
Rated voltage	DC 24 V	
Rated voltage range	DC 18 – 30 V	
Current Consumption	21 mA	
Cut-off peak	≤ 52 V	
Control current	10 mA	
Switching current	0.005 A – 2 A, short circuit protection	
Switching frequency	max. 20 Hz	
Switch-on delay	<100 μs	
Switch-off delay	<200 μs	
Holding Capacity	100 VA	
Connecting lead Ø	5 – 9 mm	
Fitting	PG 9	

Technical data sheet • Suppression Technology

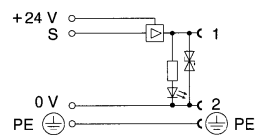
Short-circuit protection Short circuit protected

General

Design	A (18 mm)
Status indication	LED yellow
Amperage range	≤2 A
Insulation resistance	>100 MΩ
Pole number	3
Housing material	PA
Color of the housing	grey
Contact material	CuSn tin-plated
Material sealing ring	NBR
Mechanical service life	>100 insertion cycles
Degree of pollution	3
Protection class	IP65
Mounting	Breakaway torque 0.4 Nm
Connection device	Screw terminal
Connection cross-section	0.5 – 1.5 mm ²
Connection cross-section	AWG 20 – AWG 16
Material seal	NBR
Operation temperature range	-25 °C ... +60 °C
Storage temperature range	-25 °C ... +80 °C
Dimensions	

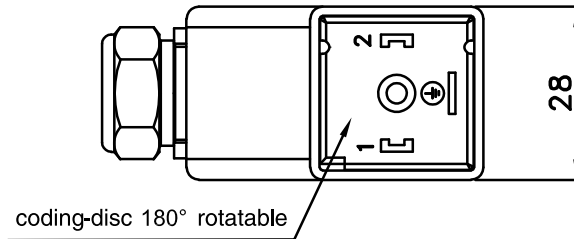


PIN assignment



Technical data sheet • Suppression Technology

Mounting diagram



Accessories

Accessories	Color	Part No.	Type	PU
Marker holder BZT	white	681315	BZT 0920 (VE.100 St)	100