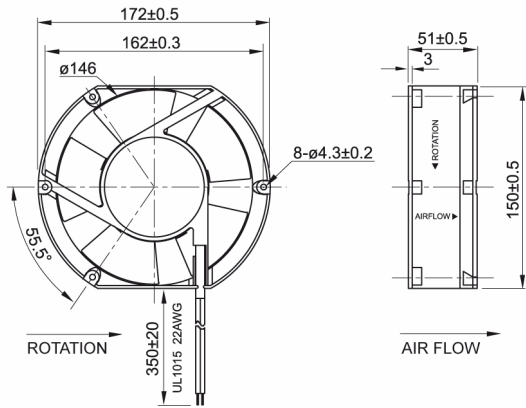
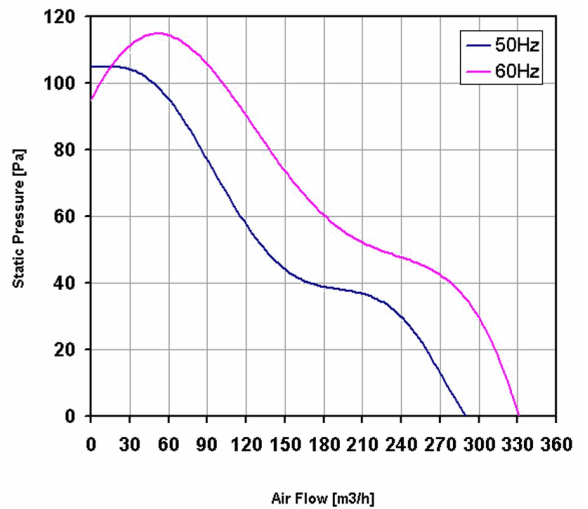


"A17CF" SERIES COSTECH FANS

Description: **Axial fan a.c. 172X150x51mm**



Casing material:	Black wurnished aluminum UL 94V-0
Impeller material	Black fibreglass reinforced plastic (PBT PC) UL 94V-0
Protection degree:	IP20, according to EN 60529 standard
Fixing system:	by No 4 M4 screws
Motor protection:	thermal
Storage temperature:	from -40°C to +80°C
Rated temperature range:	from -40°C to +60°C
Lifetime L10 at 40°C:	40,000 h
Electrical connection:	2 leads 22AWG UL 1015, 300 mm long
Approvals:	UL E223195
Weight:	0,9 kg



Model	Bearing	Voltage (V)	Frequency (Hz)	Rated Current (A)	Rated Power (W)	Max Air Flow** (m3/h)	Static Pressure (Pa)	Noise [db(A)]	RPM (rpm)	Approvals
A17C12HWBF00	Ball	115 V a.c.	50/60	0.430/0.360	32/28	290/331	105/95	50.0/55.0	2,750/3,100	CE; cURus
A17C23HWBF00	Ball	230 V a.c.	50/60	0.230/0.180	35/30	290/331	105/95	50.0/55.0	2,750/3,100	CE; cURus