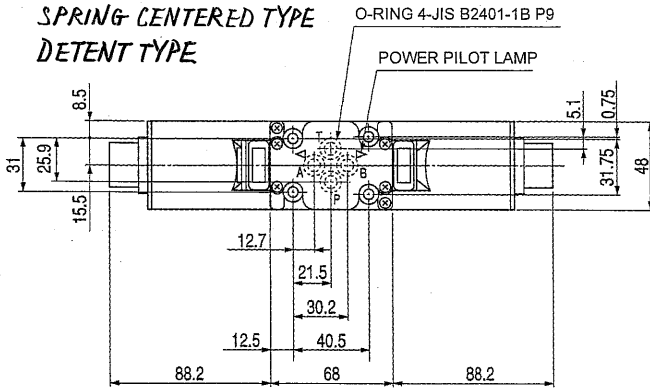


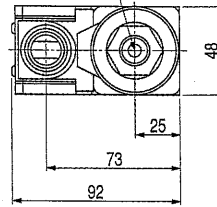
EXTERNAL DIMENSIONS

● **SIZE 025 SERIES**

SPRING CENTERED TYPE
DETENT TYPE



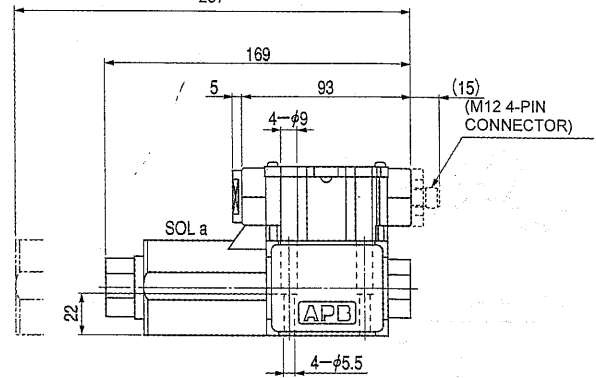
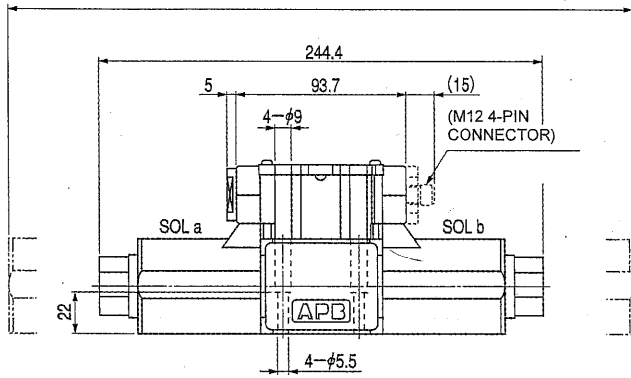
MANUAL OPERATION HOLE



CLEARANCE REQUIRED TO REMOVE SOLENOID
381

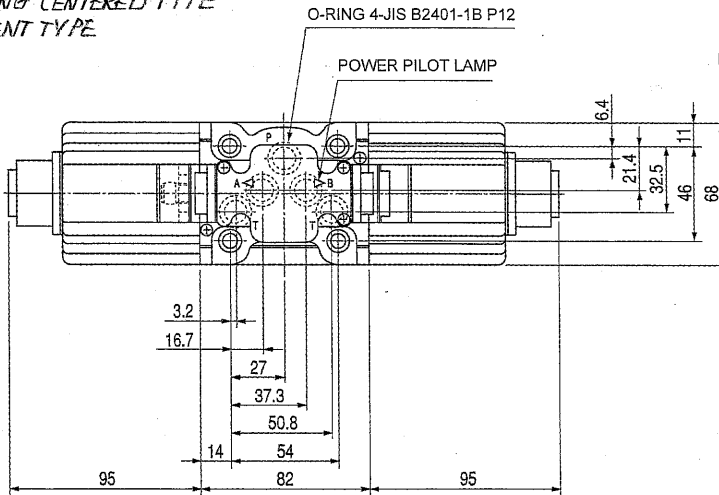
SPRING OFFSET TYPE

CLEARANCE REQUIRED TO REMOVE SOLENOID
237

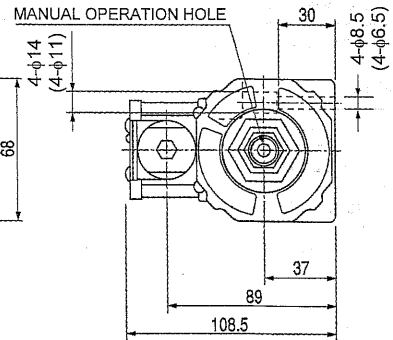


● **SIZE 03 SERIES**

SPRING CENTERED TYPE
DETENT TYPE



MANUAL OPERATION HOLE

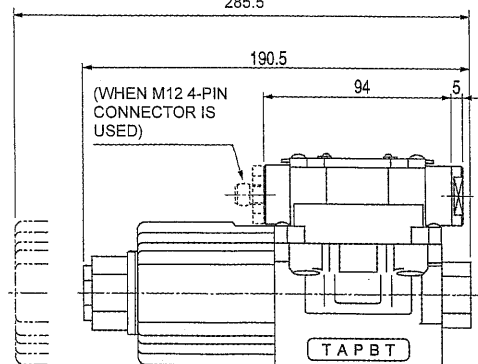
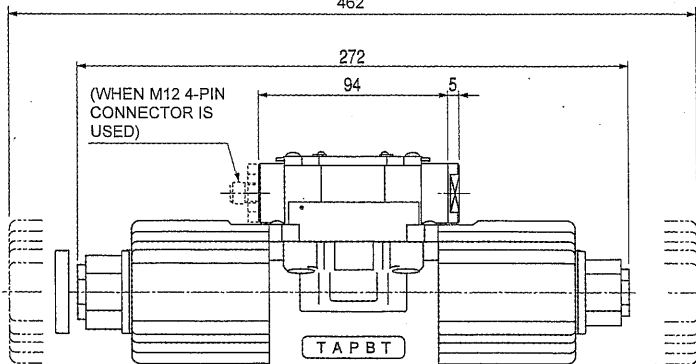


() : Indicates the size of HD3S (M6).

CLEARANCE REQUIRED TO REMOVE SOLENOID
462

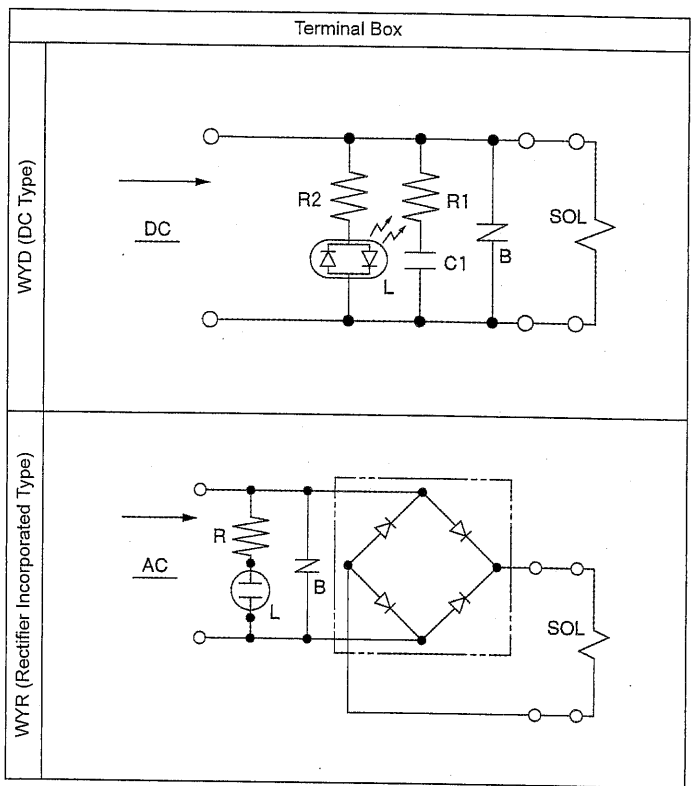
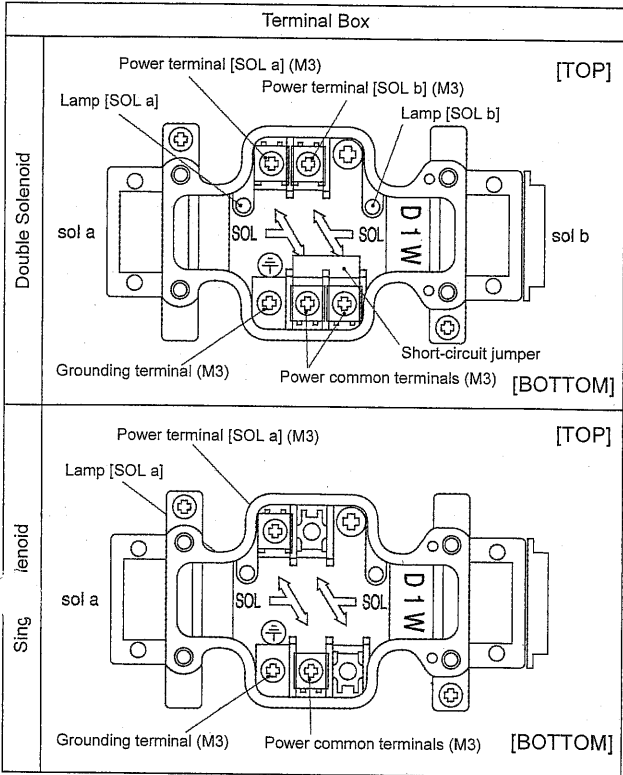
SPRING OFFSET TYPE

CLEARANCE REQUIRED TO REMOVE SOLENOID
285.5

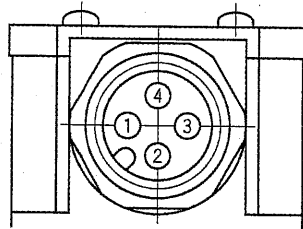


WIRING METHODS

When attaching a lid after connecting cables, be sure to attach it correctly.



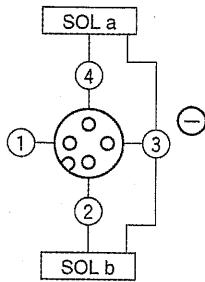
M12 4-pin Connector Pin Configuration



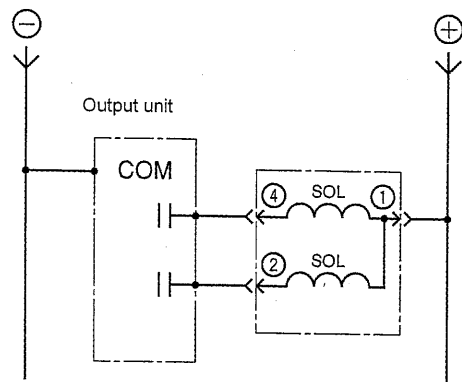
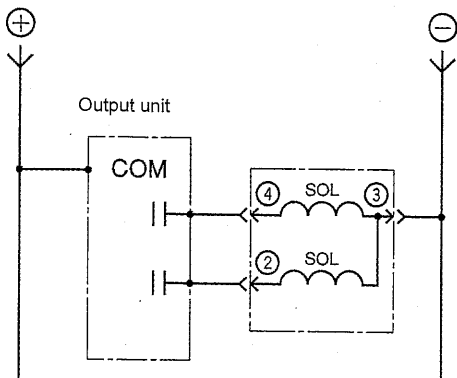
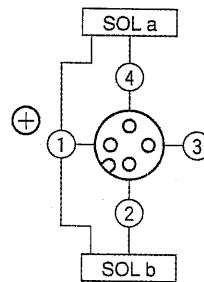
- 1: 24 VDC
- 2: SOL b
- 3: 0 V
- 4: SOL a

Connector Wiring Drawing

When connecting a device: Load side -COM



When connecting a device: Load side +COM

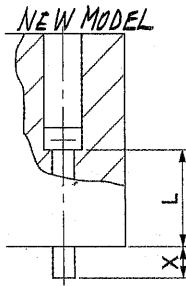


MOUNTING BOLTS

Mounting bolts are not supplied with valves and should be ordered separately.

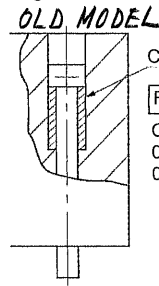
Since the mounting bolt seat height of new type valves differs from that of conventional valves, please order the adjusting collars or mounting bolts for a new type valve when replacing a valve in a circuit where stack valves are used.

For the 03B series with M6 type mounting bolts, please order the mounting bolts for a new type valve.



Unit: mm

Series	X	L
025B	8	22
03B	10	30



COLLAR

FOR REPLACING CONVENTIONAL VALVE

Collar Model
025: HH-00200 (4 bolts)
03: HH-00271 (4 bolts)

025B Series Mounting Bolts for the HY-TEGRA System

● Hexagon socket head bolt

No. of Stack Levels	Bolt Type
1	JIS B 1176 M5 × 30
2	HKS-NA-5 × 65
3	HKS-NA-5 × 100
4	HKS-NA-5 × 135
5	HKS-NA-5 × 170

● Stud bolt

No. of Stack Levels	Bolt Type
1	—
2	HKS-NC-5 × 71
3	HKS-NC-5 × 106
4	HKS-NC-5 × 141
5	HKS-NC-5 × 176

03B Series Mounting Bolts for the HY-TEGRA System

● M6 hexagon socket head bolt

No. of Stack Levels	Bolt Type
1	JIS B 1176 M6 × 40
2	HKS-NA-6 × 95
3	HKS-NA-6 × 150
4	HKS-NA-6 × 205
5	HKS-NA-6 × 260

● M6 stud bolt

No. of Stack Levels	Bolt Type
1	—
2	HKS-NC-6 × 106
3	HKS-NC-6 × 161
4	HKS-NC-6 × 216
5	HKS-NC-6 × 271

● M8 hexagon socket head bolt

No. of Stack Levels	Bolt Type
1	JIS B 1176 M8 × 40
2	HKS-NA-8 × 95
3	HKS-NA-8 × 150
4	HKS-NA-8 × 205
5	HKS-NA-8 × 260

● M8 stud bolt

No. of Stack Levels	Bolt Type
1	—
2	HKS-NC-8 × 106
3	HKS-NC-8 × 161
4	HKS-NC-8 × 216
5	HKS-NC-8 × 271

NOTE 1: Use mounting bolts of the strength category class 12.9.

NOTE 2: Stud bolts are supplied with nuts.

NOTE 3: If an M6 type solenoid valve is used for the 03B series, also use an M6 type (H*3HS) HY-TEGRA valve.

COMPATIBILITY WITH STANDARDS

● CE

All types of valves in the catalogs conform to "CE marking" directives.
Directive: 73/23EEC, 93/68/EEC Low Voltage Directive (VDE 0580:200)

● UL

Please consult us.

● CCC

Not compatible as of April of 2004.