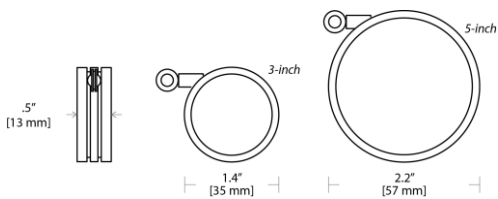




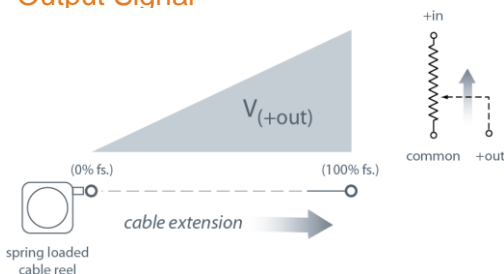
CE



The MTA is part of Celesco's miniature line of cable-extension position transducers that is perfect for short-ranged testing and control applications where space is at a premium.

This transducer uses a high-cycle conductive plastic potentiometer to provide a precision voltage divider feedback signal for measurement ranges of 3 or 5 inches full stroke. With an accuracy of $\pm 0.4\%$ and a repeatability of $\pm 0.02\%$, the MTA conveniently mounts using servo-clips for easy rotational adjustment.

Output Signal



MTA

Voltage Divider Output

Compact String Pot • Absolute Linear Position

0-3, 0-5 inch Stroke Range Options

High Cycle Applications

Crash Testing • Flight Testing • OEM

General

Full Stroke Range	0-3 and 0-5 inches, min.
Output Signal	voltage divider (potentiometer)
Accuracy	$\pm 0.4\%$ full stroke
Repeatability	$\pm 0.02\%$ full stroke
Resolution	essentially infinite
Potentiometer Cycle Life	50 million cycles*
Measuring Cable	0.024-in. dia. nylon-coated stainless steel
Measuring Cable Tension	see ordering information
Enclosure Material	anodized aluminum
Sensor	conductive plastic potentiometer
Weight (maximum)	3-inch: 0.10 lbs., 5-inch: 0.26 lbs.

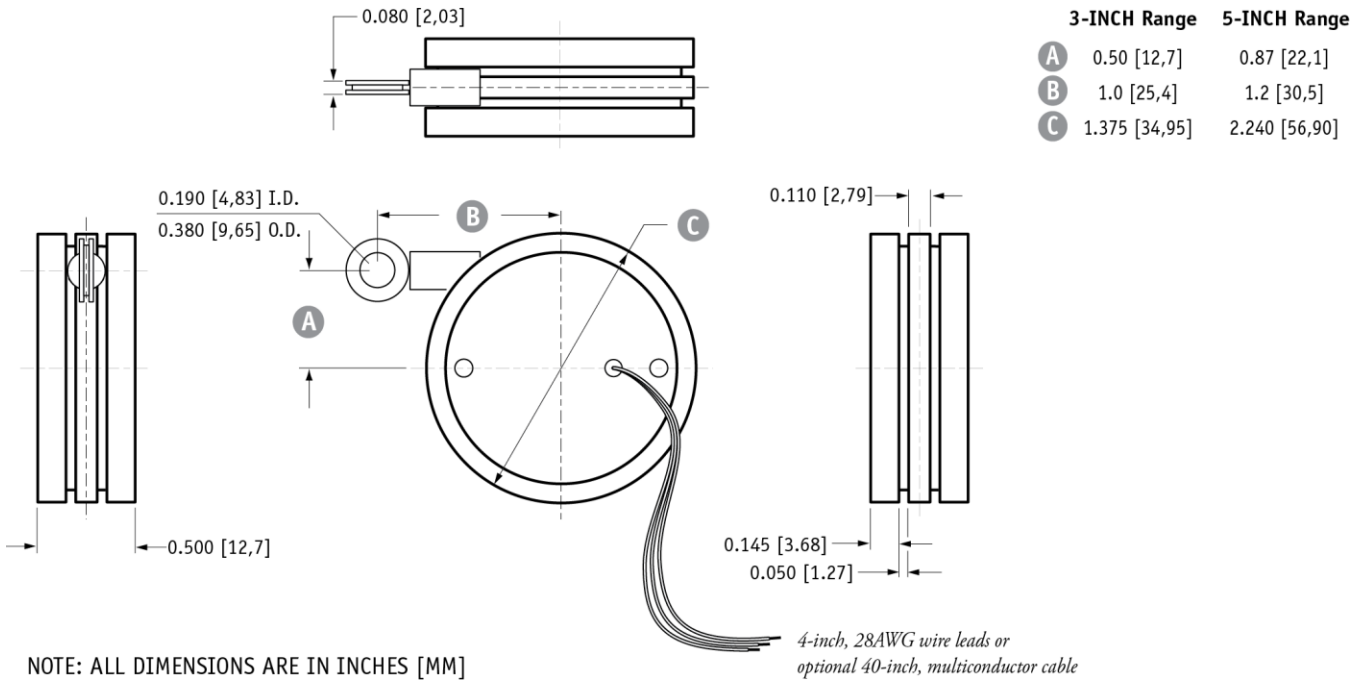
Electrical

Input Resistance	5K ohms ($\pm 10\%$)
Power Rating, Watts	1.0 at 40° C (derated to 0 @ 110°C)
Recommended Maximum Input Voltage	30V (AC or DC)
Temperature coefficient of voltage dividing ratio	< 2 ppm/°C
Temperature coefficient of resistance, -50...+75°C	± 200 ppm/°C
Temperature coefficient of resistance, +75...+100°C	± 300 ppm/°C
Maximum Output Signal	94% $\pm 4\%$ of input voltage

Environmental

Enclosure	NEMA 12, IP55
Operating Temperature	-67° to 212°F (-55° to 100°C)

Outline Drawing



Ordering Information

Model Number:

MTA - **R** - **A** - **5K** - **B** - **C**
order code:

Sample Model Number:

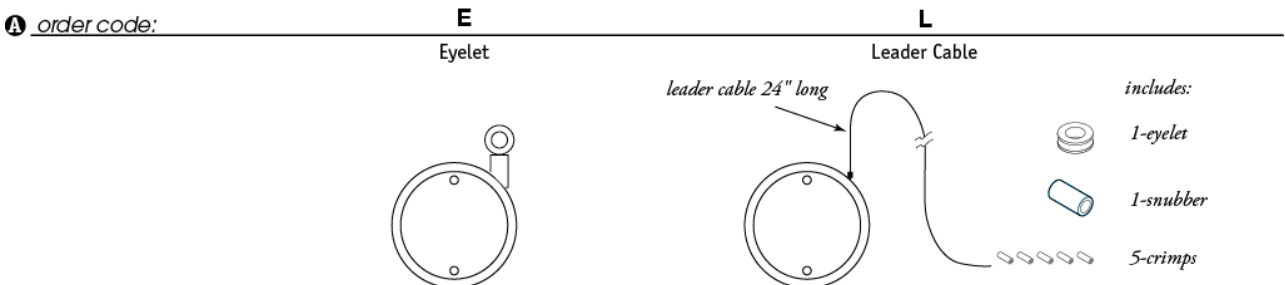
MTA - 3AE - 5KC - MB

- R** range/cable tension: 3 inches/4 oz.
- A** measuring cable termination: eyelet
- B** electrical connection: instrumentation cable, 40-in.
- C** mounting bracket: yes

Full Stroke Range:

R <i>order code:</i>	3	3A	5	5A
full stroke range, min:	3 inches		5 inches	
std. cable tension (±25%):	2.0 oz.	4.0 oz.	1.2 oz.	2.4 oz.
max. acceleration:	30 G's	60 G's	3 G's	6 G's

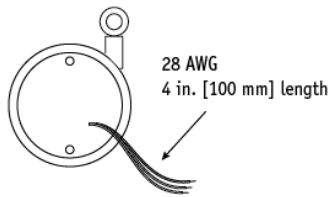
Measuring Cable Termination:



Electrical Connection:

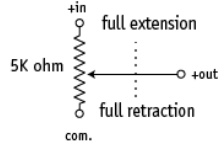
W order code:

W
4-inch Wire Leads



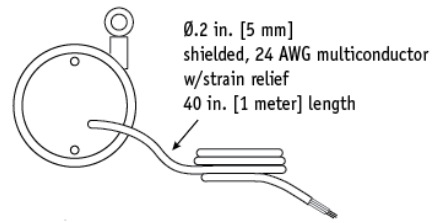
wiring connections
+in = brown
+out = red
com. = orange

sensing circuit



C

40-inch Instrumentation Cable

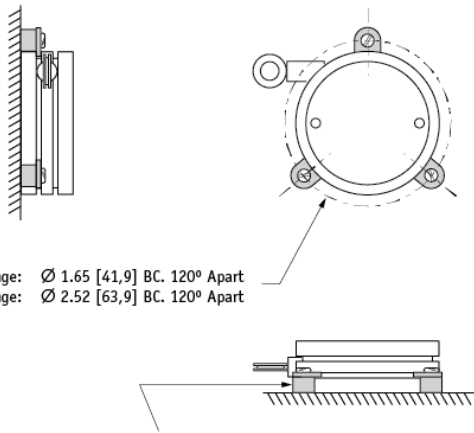


wiring connections
+in = red
+out = green
com. = black

Mounting Options

blank order code:

blank
Servo Clip Mount Option
includes 3) servo-clips and 3) 4-40 screws

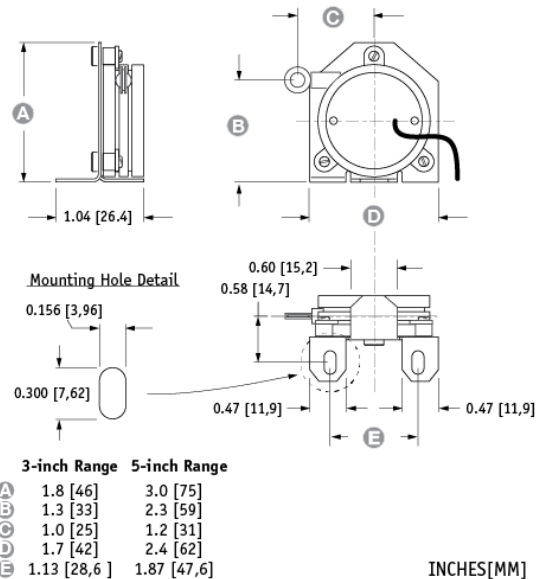


3-in. range: Ø 1.65 [41,9] BC. 120° Apart
5-in. range: Ø 2.52 [63,9] BC. 120° Apart

use 4-40 or M3 screws and servo-clips to mount sensor.

MB

Mounting Bracket Option



INCHES[MM]

NORTH AMERICA

Measurement Specialties, Inc.,
a TE Connectivity company
20630 Plummer Street
Chatsworth, CA 91311
Tel +1 800 423 5483
Tel +1 818 701 2750
Fax +1 818 701 2799
info@celesco.com

TE.com/sensorsolutions

Measurement Specialties, Inc., a TE Connectivity company.

Measurement Specialties, TE Connectivity, TE Connectivity (logo) and EVERY CONNECTION COUNTS are trademarks. All other logos, products and/or company names referred to herein might be trademarks of their respective owners.

The information given herein, including drawings, illustrations and schematics which are intended for illustration purposes only, is believed to be reliable. However, TE Connectivity makes no warranties as to its accuracy or completeness and disclaims any liability in connection with its use. TE Connectivity's obligations shall only be as set forth in TE Connectivity's Standard Terms and Conditions of Sale for this product and in no case will TE Connectivity be liable for any incidental, indirect or consequential damages arising out of the sale, resale, use or misuse of the product. Users of TE Connectivity products should make their own evaluation to determine the suitability of each such product for the specific application.

© 2015 TE Connectivity Ltd. family of companies All Rights Reserved.

MTA 12/01/2015