

SECURITY CLASSIFICATION PROJECT N° 6968 TYPE ASVB20 MK1/OX

USED ON	ITEM	IDENTIFICATION / DRAWING N°	TITLE / NSN	QTY OFF	REMARKS
	1				
	2				
	3	NC13501/008	BACK-UP RING	4	P.T.F.E. *
	4	NC13501/017	BACK-UP RING	2	P.T.F.E. *
	5				
	6	NB52694	BODY M/C.	1	BRASS-BS2872 CZ122 NB38911 FORGING ▽
	7	NC49197	CAP-ACTUATING CYLINDER	1	MILD STEEL BS970 230M07 ZINC PLATE & PASSIVATE ▽
	8	NC49193	HOUSING-ACTUATING CYLINDER	1	MILD STEEL BS970 230M07 ZINC PLATE & PASSIVATE ▽
	9	ND45933	DIAPHRAGM PLATE	1	MILD STEEL BS970 230M07 ZINC PLATE & PASSIVATE
	10	ND45934	DIAPHRAGM	1	NITRILE RUBBER *
	11	NC53064	PISTON	1	BS 3076 NA13 (MONEL 400)
	12	NC52702	PISTON SLEEVE	1	BRASS - BS2874 CZ121
	13	ND52701	VALVE SEAT	1	BS 3076 NA18 (MONEL 500) *
	14	NE45939	GUIDE RING	2	P.T.F.E. *
	15	ND53090	SPRING-COMPRESSION	1	SPRING STEEL BS5216 HS3 ZINC PLATE & PASSIVATE
	16	ND53091	SPRING LOCATING PLATE-OUTER	1	MILD STEEL BS970 230M07 ZINC PLATE & PASSIVATE
	17	ND53092	SPRING LOCATING PLATE-INNER	1	MILD STEEL BS970 230M07 ZINC PLATE & PASSIVATE
	18	NE45943	DISTANCE PIECE	2	MILD STEEL BS970 230M07 ZINC PLATE & PASSIVATE
	19	ND45944	FLANGED NUT-SPRING COMPRESS.	1	MILD STEEL BS970 230M07 ZINC PLATE & PASSIVATE
	20	NC53093	PROTECTIVE SLEEVE	1	MILD STEEL BS1449 P11CR4 ZINC PLATE & PASSIVATE
	21				
	22	ND45946	BRACKET-VALVE MOUNTING	1	M.STEEL ANGLE BS4848 P14 ZINC PLATE & PASSIVATE

THIS IS A CAD GENERATED DRAWING / DESIGN AND MUST NOT HAVE ANY MANUAL CHANGES PERMANENTLY INCORPORATED INTO IT.

THIS DRAWING IS SUPPLIED ON THE EXPRESS TERMS THAT IT IS TREATED AS CONFIDENTIAL. IS NOT TO BE COPIED OR COMMUNICATED TO ANY OTHER PERSON AND MUST NOT BE USED FOR TENDERING PURPOSES OR FOR MANUFACTURE WITHOUT WRITTEN PERMISSION

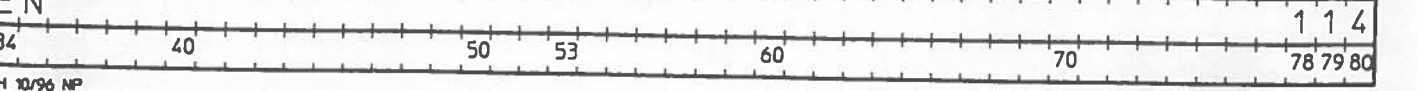
01	FIRST ISSUE	NWR	D.C.L.	19-02-98	D.C.L.
ISSUE	CHANGE	CHK'D BY	ISSUED DATE		

CERT'D CONTRACTOR HALE HAMILTON (VALVES) LTD. UXBRIDGE CONTRACTORS DRG. No. 1/L NB53052 PARTS LIST No. PL10352 SHT 1 OF 3

CHK'D D.C.L. 19-02-98 DRAWN N.W.R. 19-02-98 ITEM LIST FOR ACTUATED BALANCED STOP VALVE 6.35mm NB - NORMALLY CLOSED

SECURITY CLASSIFICATION & CAVEAT CHANGE No. DATE ISSUE

S	C	R/A	DRG. No. ORIGIN	SERVICE DRG. No.	TYPE	SHT No.
			K 0 2 0 7			
1	2	3	5	10	15	20
					25	28
						31



SECURITY CLASSIFICATION		PROJECT No.	TYPE		
		6968	ASVB20 MK1/OX		
USED ON	ITEM	IDENTIFICATION / DRAWING No.	TITLE / NSN	QTY OFF	REMARKS
	23	B01135	SOCKET HEAD CAP SCREW 1/4"UNF x 3/4"Lg.	4	HIGH TENSILE STEEL DACROMET
	24				
	25	B01640	COUNTERSUNK HEAD SCREW 1/4"UNF x 7/8"Lg.	2	HIGH TENSILE STEEL ZINC PLATE & PASSIVATE
	26				
	27	B01863	ROUND HEADED SCREW 2BA x 1/4"Lg.	1	STEEL - A32/C8 ZINC PLATE & PASSIVATE
	28				
	29	B02475	LABEL - OXYGEN	1	SELF-ADHESIVE B-350 PERMA-CODE
	30				
	31	B03656	SOCKET SET SCREW 2BA x 1/2"Lg.	1	STAINLESS STEEL-A56/C8 CONE POINT
	32				
	33	B04034	TAB WASHER-5/16"ID	1	STAINLESS STEEL SP44/G
	34				
	35	B05585	O'RING BS1806-008	2	VITON E60C
	36	B05594	O'RING BS1806-017	1	VITON E60C
	37	B05592	O'RING BS1806-015	1	VITON E60C
	38	B07023	HEX. HEADED SCREW 5/16"UNF x 1 1/2"Lg.	1	HIGH TENSILE STEEL ZINC PLATE & PASSIVATE
	39				
	40	B07247	SOCKET HEAD CAP SCREW 1/4"UNF x 1 1/2"Lg.	2	HIGH TENSILE STEEL DACROMET
	41	B08900	ELBOW ADAPTOR	1	BRASS - NICKEL PLATED MARTONAIR 101470618
	42				
	43	B01381	HEX. HEADED SCREW 1/4"UNF x 1/2" Lg.	2	HIGH TENSILE STEEL ZINC PLATE & PASSIVATE
	44	B01601	SPRING WASHER-1/4"ID	2	SPRING STEEL ZINC PLATE & PASSIVATE
	01	FIRST ISSUE	NWR	D.C.L.	19-02-98 D.C.L.
	ISSUE	CHANGE	CHK'D BY	ISSUED DATE	
CERT'D		CONTRACTOR HALE HAMILTON (VALVES) LTD. UXBRIDGE		CONTRACTORS DRG. No. I/L NB53052	
		MOD ESTABLISHMENT		PARTS LIST No. PL10352	
				RESPONSIBLE AUTHORITY	
CHK'D D.C.L. 19-02-98		ITEM LIST FOR ACTUATED BALANCED STOP VALVE 6.35mm NB - NORMALLY CLOSED			
DRAWN N.W.R. 19-02-98		SECURITY CLASSIFICATION & CAVEAT			
		CHANGE No.		DATE	ISSUE
		No. OF SHEETS			
S	C	R/A	DRG. No. ORIGIN	SERVICE DRG. No.	TYPE
			K 0 2 0 7		SHT No.
1	2	3	5	10	15
				20	25
				28	31
EN					1 1 4
34	40	50	53	60	70
					78 79 80

THIS IS A CAD GENERATED DRAWING / DESIGN AND MUST NOT HAVE ANY MANUAL CHANGES PERMANENTLY INCORPORATED INTO IT.

THIS DRAWING IS SUPPLIED ON THE EXPRESS TERMS THAT IT IS TREATED AS CONFIDENTIAL. IS NOT TO BE COPIED OR COMMUNICATED TO ANY OTHER PERSON AND MUST NOT BE USED FOR TENDERING PURPOSES OR FOR MANUFACTURE WITHOUT WRITTEN PERMISSION

*
*
*
*



SECURITY CLASSIFICATION PROJECT N° 6968 TYPE ASVB20 MK1/OX

USED ON	ITEM	IDENTIFICATION / DRAWING N°	TITLE / NSN	QTY OFF	REMARKS
THIS IS A C.A.D. GENERATED DRAWING / DESIGN AND MUST NOT HAVE ANY MANUAL CHANGES PERMANENTLY INCORPORATED INTO IT.	45		TRANSPORTATION ITEMS		
	46				
	47	B01164	DUST CAP-1/8" BSP FEMALE	1	RED PLASTIC
	48	B01182	DUST CAP-1" UNF MALE	2	RED PLASTIC
	49				
	50				
	51				
	52		TEST EQUIPMENT		
	53				
	54	TD3243	TEST FERRULE	2	Ni.Al.Br. DGS 1043 Gr.2
	55	ND52686	RETAINING NUT	2	Ni.Al.Br. DGS 1043 Gr.2
	56	B03224	O-RING BS1806-013	2	NITRILE
	57				
	58				
	59				
	60				
	61				
	62				
	63				
	64				
65	PARTS INDICATED THUS * ARE RECOMMENDED SPARES				
66	PARTS INDICATED THUS ▽ ARE PRESSURE BOUNDARY PARTS				

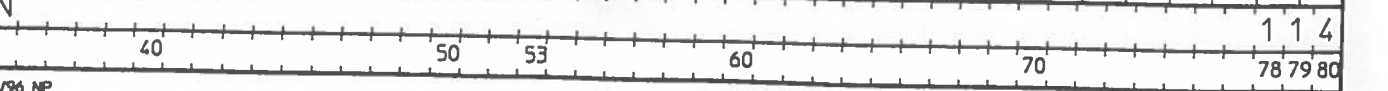
01	FIRST ISSUE	N.W.R.	D.C.L.	19-02-98					
ISSUE	CHANGE	CHK'D BY	ISSUED DATE						

CERT'D CONTRACTOR **HALE HAMILTON (VALVES) LTD. UXBRIDGE** CONTRACTORS DRG. No. **NB53052** PARTS LIST No. **PL10352**
 MOD ESTABLISHMENT RESPONSIBLE AUTHORITY SHT 3 OF 3

CHK'D D.C.L. 19-02-98
 DRAWN N.W.R. 19-02-98
 ITEM LIST FOR **ACTUATED BALANCED STOP VALVE 6.35mm NB - NORMALLY CLOSED**

SECURITY CLASSIFICATION & CAVEAT CHANGE No. DATE ISSUE

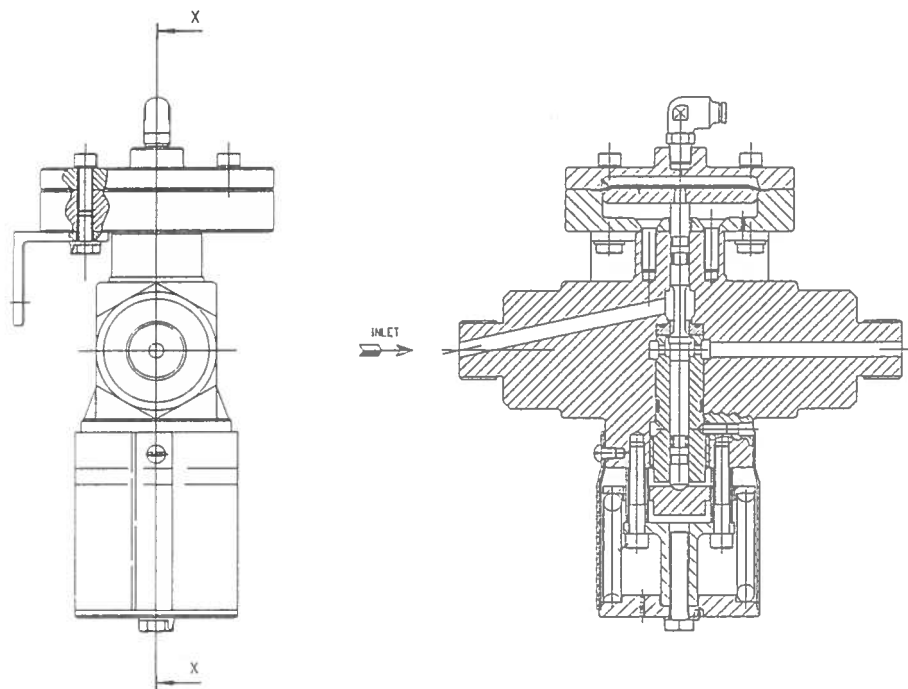
S	C	R/A	DRG. No.	ORIGIN	SERVICE DRG. No.	No. OF SHEETS	TYPE	SHT No.	
			K 0 2 0 7						
1	2	3	5	10	15	20	25	28	31



PNEUMATISCHES ABSPERRVENTIL

ASVB20 Mk1/Ox

BAM zertifiziert / drucklos geschlossen



TECHNISCHE DATEN:

- Arbeitsdruck: $P_N = 400$.
- Steuerdruck: 6 - 10 bar.
- Medium: inerte Gase und Sauerstoff.
- Ventilsitz: 6,35 mm.
- Temperaturbereich: max. 150° C (BAM Zulassung bis 60°C).
- Abmessung (D*H): 190 x 230 mm.
- Gewicht: 4,5 kg.
- Anschlüsse: 1"-12NS-3A.

WERKSTOFF:

- GEHÄUSE: Messing.

ANWENDUNGSBEREICHE:

- Hochdruckanwendungen.
- Füllstände.
- Prüfstände.
- Gasversorgungssysteme.

OPTIONEN:

- Ausführung drucklos geöffnet
- Anschlußkupplungen.
- 3.1 B Zeugnis.

3.1 Technische Informationen

Bezeichnung	:	pneumatisch betätigtes Durchgangsventil, <u>Federkraft geschlossen</u>
Hale Hamilton Artikel Bezeichnung	:	ASVB20 Mk1/Ox (Sauerstoff) ASVB20 Mk3/CO ₂ (Kohlendioxid)
Bestellnummer / Zeichnungsnummer	:	NB53052 (Sauerstoff) NB53346 (Kohlendioxid)
Nenndruck	:	P _N = 420bar
Arbeitsdruck	:	P = 400bar (Sauerstoff) P = 420bar (Inertgase, Edelgase)
Betriebstemperatur	:	t = - 20 60°C (Sauerstoff) t = - 20 70°C (Inertgase, Edelgase)
Betätigungsart	:	pneumatisch
Steuerdruck	:	6bar
Ventilsitz	:	6,35 mm
Grundstellung	:	offen
Abmessung (L x H x B)	:	190,5 x 98,4 x 230,5 mm
Gehäuse-Material:	:	Messing
Gewicht	:	13 kg
Anschlüsse	:	1"-14NS-3A
Bemerkung	:	- BAM-zertifiziert

3.2 Anhang

- BAM Zertifikat
- Zeichnung und Stücklisten

- Bedienungsanleitung