



<b>Identification</b>	Type	RE 4-0753 HV 24V
	Part-No.	730753
<b>Input</b>		
Input voltage range	16.8 V – 30.0 V	
Nominal voltage	AC/DC 24 V	
Rated frequency	50–60 Hz	
Rated current	23.0 mA	
Interrupting voltage	<2.4 V	
Protection device	Bridge rectifier	
Rated insulation voltage (EN 50178)	50 V	
Status Indication	LED yellow	
<b>Load Side</b>		
Contact type	2 change over contact	
Min. switching voltage	AC/DC 1 V	
Max. switching voltage	AC/DC 250 V	
Min. switching current	AC/DC 1 mA	
Max. switching current	AC/DC 6 A	
Switching capacity AC 15	3 A	
Switching capacity DC 13	at 24 V: 1 A, at 115 V: 200 mA, at 230 V: 100 mA	
Max. switching capacity	1500 VA	
Contact material	AgNi + 0.15 µm HV	

02.04.2016 – Subject to technical modification

Part-No. 730753

USA: LUTZE INC.

13330 South Ridge Drive • Charlotte, NC 28273, USA  
 Tel. +1 (704) 504-0222 • Fax +1 (704) 504-0223  
 www.lutze.com • info@lutze.com

United Kingdom: LUTZE Ltd.

Unit 3, Sandy Hill Park  
 Sandy Way, Amington • GB-Tamworth, Staffs B77 4DU  
 Tel. +44 (0)1827 31333-0 • Fax +44 (0)1827 31333-2  
 www.lutze.com • sales.gb@lutze.co.uk



SYSTEMATIC TECHNOLOGY

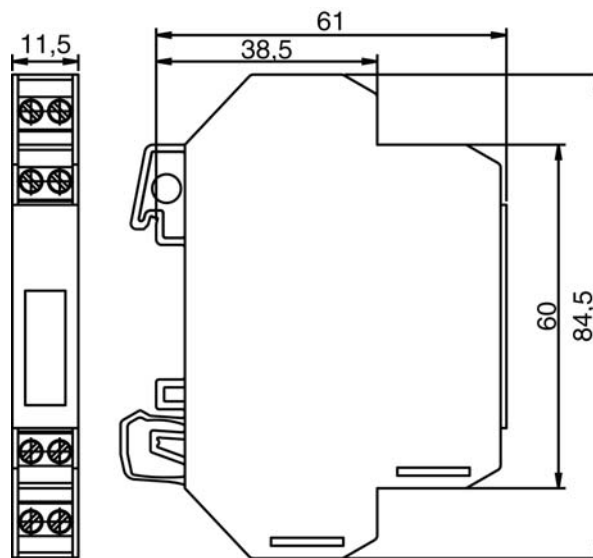
## Technical data sheet • Interface Technology

Mechanical service life	20 x 10 <sup>6</sup> operations
Inrush current	30 A (4 ms)
Switch-on delay	5 ms
Switch-off delay	15 ms
Clearance/creep. dist. (control/load side)	>5.5 mm
Rated insulation voltage (EN 50178)	250 V

### General

Housing material	PPE
Protection class	IP 20
Field installation	rail TS 35 (EN 50022)
Insulation voltage input/output	4.0 kV <sub>eff</sub>
Safe isolation	Yes
Operation temperature range	-25 °C – 60 °C
Storage temperature range	40 °C – 80 °C
Dimensions (w x h x d)	11.5 x 84.5 x 61.0 mm
Weight (kg/piece)	0.089
Approvals	cULus
Termination	Screw terminal: 0.25–2.5 mm <sup>2</sup>

### Dimensions



02.04.2016 – Subject to technical modification

Part-No. 730753

USA: LUTZE INC.

13330 South Ridge Drive • Charlotte, NC 28273, USA  
Tel. +1 (704) 504-0222 • Fax +1 (704) 504-0223  
www.lutze.com • info@lutze.com

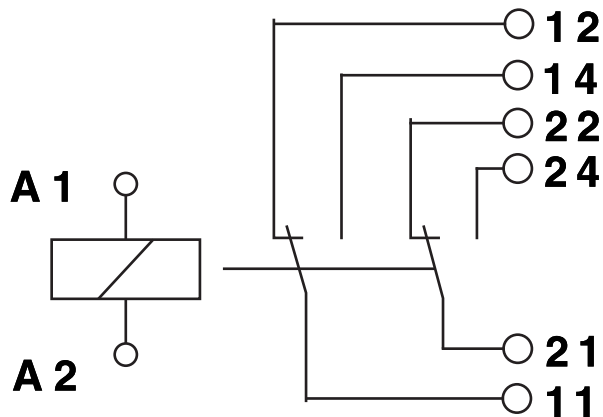
United Kingdom: LUTZE Ltd.

Unit 3, Sandy Hill Park  
Sandy Way, Amington • GB-Tamworth, Staffs B77 4DU  
Tel. +44 (0)1827 31333-0 • Fax +44 (0)1827 31333-2  
www.lutze.com • sales.gb@lutze.co.uk

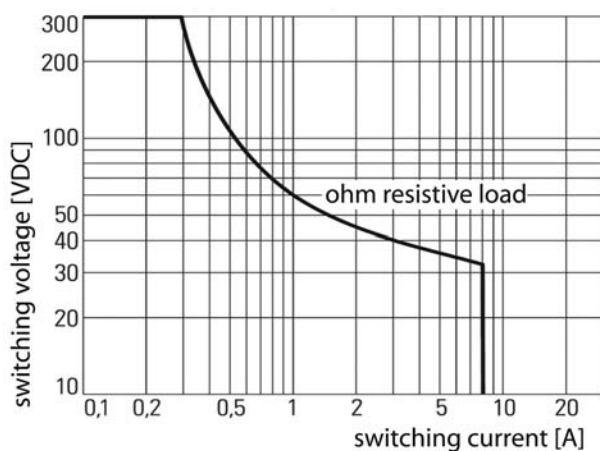


SYSTEMATIC TECHNOLOGY

**PIN assignment**



**Limit curve**



**Accessories**

Accessories	Color	Article number	Type	PU
Tag holder 7x20 mm	white	760968	BZT-0720	100
Laser printer label 6.35x15.24 mm (sheet with 528 labels)		681033	LEB-0615	1

**Comments**

Hard gold-plated contacts: So that the gold layer is not damaged, the specified values are not permitted to be exceeded. At higher switching capacity, the gold layer vaporizes. The deposition in the housing can lead to sparkovers between the coil and contact.

02.04.2016 – Subject to technical modification

Part-No. 730753

USA: LUTZE INC.

13330 South Ridge Drive • Charlotte, NC 28273, USA

Tel. +1 (704) 504-0222 • Fax +1 (704) 504-0223

www.lutze.com • info@lutze.com

United Kingdom: LUTZE Ltd.

Unit 3, Sandy Hill Park

Sandy Way, Amington • GB-Tamworth, Staffs B77 4DU

Tel. +44 (0)1827 31333-0 • Fax +44 (0)1827 31333-2

www.lutze.com • sales.gb@lutze.co.uk



SYSTEMATIC TECHNOLOGY