

Identification	Type	DGE-22M-0812
	Part-No.	710812
Description	Diode module with common reference point common cathode / anode Screw terminal	
Input	Rated insulation voltage (EN 50178) 300 V	
General	Dimensions (w x h x d) 45.0 x 77.0 x 57.0 mm	
	Design Varioprint	
	Weight 0.092 kg/piece	

20.10.2017 – Subject to technical modification

Part-No. 710812

USA: LUTZE INC.

13330 South Ridge Drive • Charlotte, NC 28273, USA
Tel. +1 (704) 504-0222 • Fax +1 (704) 504-0223
www.lutze.com • info@lutze.com

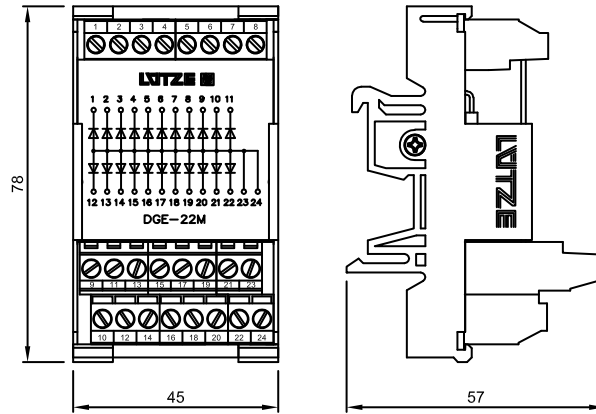
United Kingdom: LÜTZE Ltd.

Unit 3, Sandy Hill Park
Sandy Way, Amington • GB-Tamworth, Staffs B77 4DU
Tel. +44 (0)1827 31333-0 • Fax +44 (0)1827 31333-2
www.lutze.com • sales.gb@lutze.co.uk

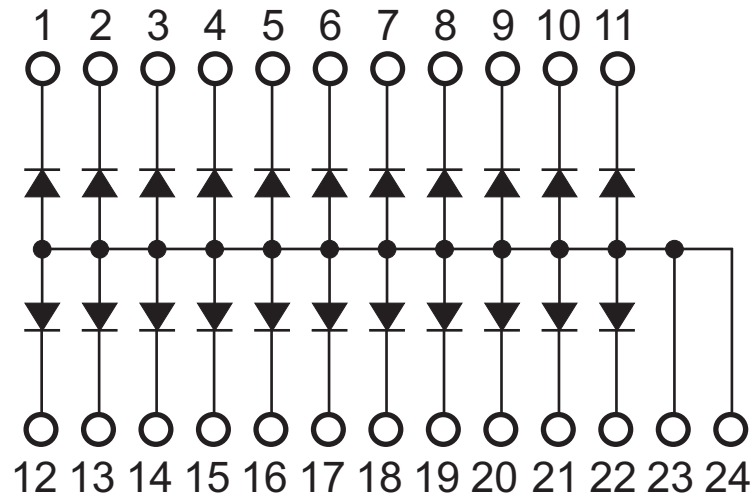


Technical data sheet • Function module

Dimensions



PIN assignment



20.10.2017 – Subject to technical modification

Part-No. 710812

USA: LUTZE INC.

13330 South Ridge Drive • Charlotte, NC 28273, USA
 Tel. +1 (704) 504-0222 • Fax +1 (704) 504-0223
 www.lutze.com • info@lutze.com

United Kingdom: LÜTZE Ltd.

Unit 3, Sandy Hill Park
 Sandy Way, Amington • GB-Tamworth, Staffs B77 4DU
 Tel. +44 (0)1827 31333-0 • Fax +44 (0)1827 31333-2
 www.lutze.com • sales.gb@lutze.co.uk



SYSTEMATIC TECHNOLOGY