

Insert R2010A 98
Deal. PS20Bar - N°62303.07
TS-20°C ± 60°C

Karimizade.v@hosco.ir





PCV
11C

ARIA

R2010

Chrome-plated brass pressure regulator
suitable for laboratory use



FEATURES

Pressure regulator for inlet pressure up to 20 bar (290 psi).

Inlet connection suitable for ID Insert Deal "Presa Universale", outlet connection G1/4" F port in the body.

Different connections available on request.

Suitable for laboratory applications because the pressure regulation is attained by a stainless steel diaphragm.

Available the EAC-EX TP TC 012/2011 versions for the Russian market.

The product complies with the 2014/68/EU PED directive.

Chrome-plated regulator body.

Outlet pressure gauge accuracy class 1,6.

SPECIFICATIONS

Weight: 900 g (~2 lb)

Operating temperature: -20 °C ÷ +60 °C (-4 °F ÷ +140 °F) for standard version

Main valve leakage classification: VI (bubble tight)

Flow coefficient: $K_v = 0.04 \text{ Nm}^3/\text{h}$ $C_v = 0.05 \text{ US gal/min}$

Degree of protection: IP25

Outlet pressure gauge port: G ¼

MATERIALS

Body and bonnet: brass

Internal parts: brass

Adjusting knob: ABS

Main valve spring: stainless steel AISI 304

Adjusting spring: C85 (not in contact with the fluid)

Diaphragm: stainless steel AISI 316L

O-Ring: FPM or EPDM, depending on the fluid (other compounds available on request)

Main valve gasket: FPM or EPDM, depending on the fluid (other compounds available on request)

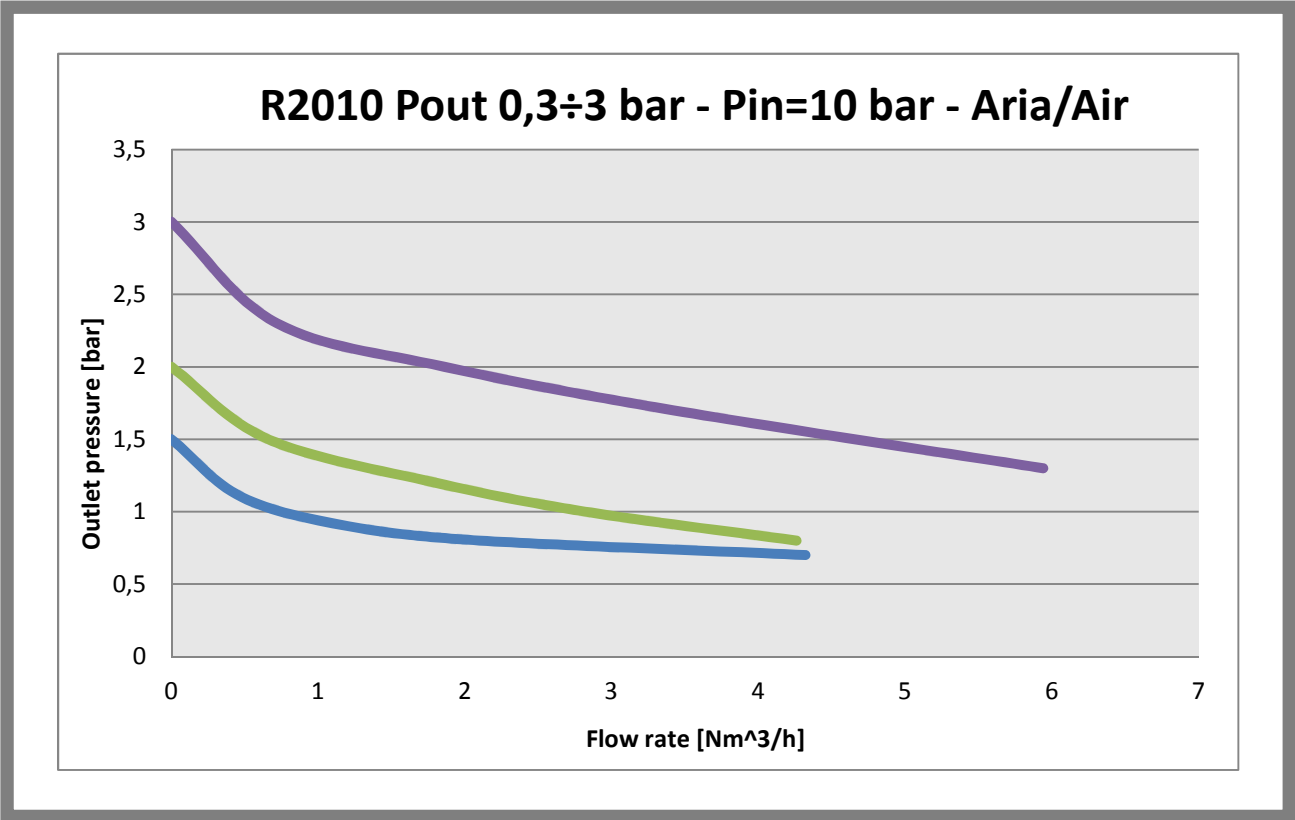
OPTIONAL

“Presa universale”, chrome plated brass and stainless steel panel

SPARE PARTS

Complete kit: assembled diaphragm, filter, main valve, o-rings, gauges

flow charts



generating the product code

REGOLATORE R2010 IN OTTONE			
AA BB CC DD E FF			
AA	Attacchi / Connections	01	IN attacco presa universale - OUT G 1/4-F
BB	Pressione ingresso / Inlet pressure	C0	PS 20 bar
CC	Intervallo uscita / Outlet range	A0	MOD A Pout 0,2 - 1,5 bar
		B0	MOD B Pout 0,3 - 3 bar
		D0	MOD C Pout 0,8 - 8 bar
		E0	MOD D Pout 1,5 - 15 bar
DD	Tipologia di fluido / Fluid type	15	O2
		98	EPDM
		99	FPM
E	Marchiato / Marked	I	ID
FF	Accessori / Accessories	00	Nessun accessorio

CODE COMPOSITION EXAMPLE

2010#01 C0 D0 15 I 00

2010#: brass regulator R2010

01: "presa universale" inlet connection – outlet connection G ¼-F

C0: maximum inlet pressure 20 bar

D0: outlet pressure range 0,8-8 bar

15: oxygen use

I: ID

00: No optional

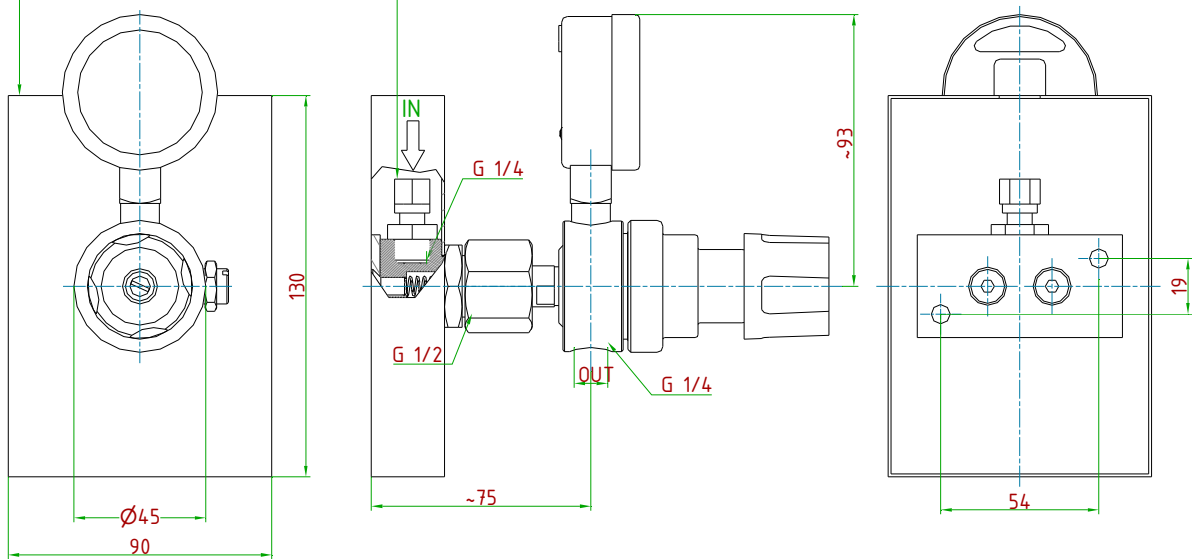
technical drawings (all dimensions in mm)

STANDARD VERSION

CONNECTION: inlet "PRESA UNIVERSALE" - outlet G 1/4-F

"PRESA UNIVERSALE"
To be ordered separately

COMPRESSION
FITTING $\varnothing 6$ OR $\varnothing 10$

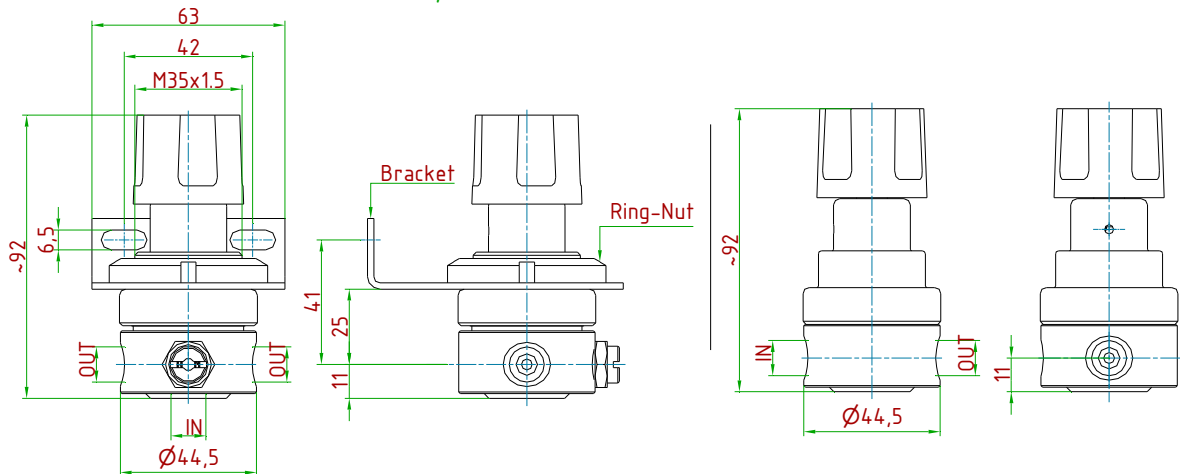


SPECIAL VERSIONS

For Bracket and Ring-Nut order special version

CONNECTION: E. 1/4" GF POSTERIORE, U. 1/4" GF LINEARI

CONNECTION: Entr.-usc. 1/4" GF IN LINEA



ID Insert Deal Srl

Strada dei Boschi, 40
20852 Villasanta (MB) Italia
tel. +39 039 302035
info@idinsertdeal.com
www.idinsertdeal.com

ID Insert Deal si riserva il diritto di cambiare le specifiche del prodotto senza preavviso.
ID Insert Deal reserves the right to change and/or modify product specifications without prior notice.

Insert Deal non si assume alcuna responsabilità per la scelta, uso e manutenzione di qualsiasi prodotto. La responsabilità per l'ideale scelta, uso e manutenzione di qualsiasi prodotto ID rimane interamente a carico dell'acquirente.

Insert Deal does not assume responsibility for selection, use and maintenance of any products. Responsibility for proper selection, use and maintenance of any ID products remains entirely to the purchaser.

Riproduzione vietata. Tutti i diritti riservati; nessuna parte del presente documento può essere riprodotta senza autorizzazione di ID Insert Deal Srl.
Reproduction forbidden. All rights reserved; the hereby document can't be reproduced, also partially, without the authorization of ID Insert Deal Srl.

PRESSURE REGULATOR_R2010_EN_02



Azienda con sistema di gestione qualità certificato.
certificato N° 50 100 9191
Company with certificated quality management system.
certificate N° 50 100 9191