

MY
series

Mini Type ON DELAY TIMER

勝特力材料 886-3-5753170
勝特力电子(上海) 86-21-34970699
勝特力电子(深圳) 86-755-83298787
Http://www.100y.com.tw



- ☆High Repetivity : 0.2% of F.S. Max.
- ☆Reset Time : 0.1S Max.
- ☆Setting Accuracy : 5 % of F.S. Max.
- ☆CE Approved : EMC , ESD & LVD
- ☆Guiding of Model :

MY - 10S - 2P - 220V

① ② ③ ④

① : Series

② : Range

③ : Contact Poles

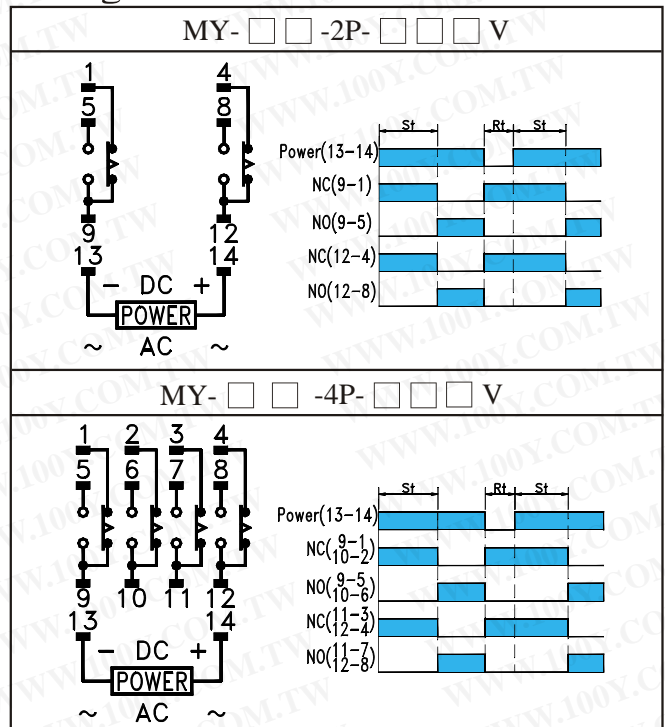
④ : Operating Voltage



Specification

MODEL	MY- □□ - □P- □□□ V
Range	1S/3S/6S/10S/30S 60S/3M/6M/10M/30M 60M/3H/6H/10H/30H
Power Supply	12 or 24 VDC 110V or 220VAC 50/60Hz
Wattage Consump.	3VA max.
Control Output	Relay
Contact Rated	7A/250VAC
Repetivity	0.2% of F.S max.
Setting Accuracy	5% of F.S max.
Reset Time	0.1S max.
Insulation Strength	100MΩ/500VDC
Dielectric Strength	2.5KV/1 min.
Circumstance	-20~ +60°C, 35~85%RH
Life of Relay	20 X 10 ⁶ Times

Connection & Timing Chart



Dimension

