

Load Disconnect Switches and Motor Starters

Motor Protection Circuit Breaker



8146/5-V27-207-095-12-2 Art. No. 249216



- Electric line and system protection for Ex e and Ex d motors
- Robust enclosure made from glass fibre-reinforced polyester resin
- Optional: Undervoltage release, shunt trip, ammeter, auxiliary contact

WebCode 8146N



R. STAHL's 8146/5-V27 series moulded case circuit breakers for motor protection protect Ex e and Ex d motors and their associated electric lines and systems. The standard variants feature an adjustable, phase-sensitive thermal overcurrent release or electromagnetic tripping mechanism, which has to be specified during the ordering process. They cannot be retrofitted.

Technical Data

Explosion Protection

Application range (Zone)	1 2 21 22
Certificate IECEX Gas	IECEX PTB 06.0090
Certificate ATEX Gas	PTB 01 ATEX 1024
Certificate IECEX Dust	IECEX PTB 06.0090
Certificate ATEX Dust	PTB 01 ATEX 1024
Gas explosion protection IECEX	Ex db eb IIC T5 Gb
Gas explosion protection ATEX	Ⓔ II 2 G Ex db eb IIC T5 Gb
Dust explosion protection IECEX	Ex tb IIIC T95 °C Db
Dust explosion protection ATEX	Ⓔ II 2 D Ex tb IIIC T95 °C Db
Certificates	ATEX (PTB), Canada (FM), China (NEPSI), EAC (LPE), IECEX (PTB)

Electrical Data

Rated operational voltage AC	690 V
Switching capacity	7 kW
Frequency range	50 – 60 Hz
Release voltage AC	230 V
Current adjustment range	4 – 6.3 A
Min. Current adjustment range	4 A
Max. Current adjustment range	6.3 A
Switching capacity AC-3 230 V	7 kW
Switching capacity AC-3 400 V	12.4 kW
Switching capacity AC-3 500 V	16 kW
Switching capacity AC-3 690 V	22 kW
Ammeter exist	No

Load Disconnect Switches and Motor Starters

Motor Protection Circuit Breaker



8146/5-V27-207-095-12-2 Art. No. 249216

Electrical Data

Auxiliary contact	1 NC 1 NO
Releaser	Undervoltage release
Number of poles	3

Ambient Conditions

Min. ambient temperature	-20 °C
Max. ambient temperature	+40 °C
Ambient temperature	-20 °C ... +40 °C

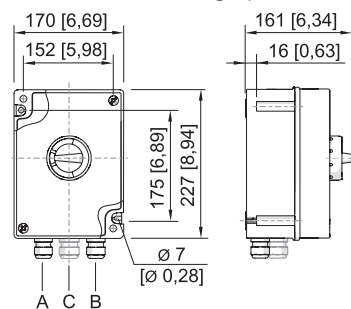
Mechanical Data

Type of protection (IP)	IP66
Enclosure material	Polyester resin, glass fibre-reinforced
Weight	2.8 kg
Type of connection	8161
Colour of handle	Black
Colour of protective collar	Black
Labelling rotary actuator	0 - I
Seal	Silicone, foamed
Padlockable in	3 positions in 0-position

Components

Cable entry	3 x M25 Ø 7 – 17 mm
Type of entry	Standard 8161 moulded material

Dimensional Drawings (All Dimensions in mm [inches]) – Subject to Alterations



Current adjustment range up to 16 A; 1 NO / 1 NC

Cable entries

Version	Auxiliary con- tacts	Cable glands Series 8161		Stopping plugs Series 8290
		M25 x 1.5	M32 x 1.5	M25 x 1.5
Current adjust- ment range up to 16 A	without with	A, B A, B, C	-- --	C --
Current adjust- ment range 16 ... 20 A, 20 ... 22.5 A	without with	-- C	A, B A, B	C --

We reserve the right to make alterations to the technical data, dimensions, weights, designs and products available without notice. The illustrations cannot be considered binding.