



- Disconnection in the event that a user-defined temperature is exceeded or fallen below, switching capacity up to 25 A
- Permanent disconnection in the event of leak in the liquid-filled measuring system
- Standardised versions available in Series 8146 Ex e enclosure. Customised solutions available on request.

WebCode **8146K**



R. STAHL temperature controllers and limiters perform various tasks: They disconnect the system after an adjustable limit value is exceeded, whereby limiters remain disconnected, while controllers switch back on again when the permissible temperature is reached. Both switch off in the event of leak in the system. The set value can be seen from the outside through the inspection window.

Technical Data

Explosion Protection

| | |
|---------------------------------|-------------------------------------------------------------------------------------------------------------------------------------------------------------------|
| Application range (zones) | 1 2 21 22 |
| IECEX gas certificate | IECEX PTB 06.0090 |
| ATEX gas certificate | PTB 01 ATEX 1024 |
| IECEX dust certificate | IECEX PTB 06.0090 |
| ATEX dust certificate | PTB 01 ATEX 1024 |
| Certificate EAC | TS RU S-DE.AA71.B.00139 |
| Gas explosion protection IECEx | Ex db eb IIC T6 Gb |
| Gas explosion protection ATEX | ⊕ II 2 G Ex db eb IIC T6 Gb |
| Gas explosion protection EAC | Ⓛ 1 Ex e IIC T6...T3 Gb X |
| Dust explosion protection IECEx | Ex tb IIIC T80 °C Db |
| Dust explosion protection ATEX | ⊕ II 2 D Ex tb IIIC T80 °C Db |
| Dust explosion protection EAC | Ⓛ Ex tb IIIC T80°C...T130°C Db X |
| Certificates | ATEX (PTB), Brazil (ULB), Canada / USA (UL), Canada (CSA), Canada (FM), China (NEPSI), EAC (LPE), IECEx (PTB), India (PESO), Korea (KGS), Taiwan (ITRI), USA (FM) |

Electrical Data

| | |
|------------------------------|----------------------------|
| Rated operational voltage AC | 230 V |
| Rated operational current | 25 A |
| Type/temp. control device 1 | Safety temperature monitor |
| Measuring range max. | +190 °C |
| Measuring range min. | 0 °C |

Output

| | |
|---------------------|-----------------------------------------------------|
| Output max. load AC | 1 ... 2 230 V AC1 / 25 A 1 ... 4 230 V AC1 / 2 A |
|---------------------|-----------------------------------------------------|

8146/5041-STW25A/0- +190°C Art. No. 136081

Ambient Conditions

| | | | | |
|-------------------------------|-------------------|--|--|--|
| Ambient temperature | -60 °C ... +40 °C | | | |
| Min. sensor temperature range | -60 °C | | | |
| Max. temperature range | +220 °C | | | |
| | | | | |
| | | | | |
| | | | | |
| | | | | |

Mechanical Data

| | |
|-------------------------------|-----------------------------------------|
| Degree of protection (IP) | IP66 |
| Enclosure material | Polyester resin, Glass fibre reinforced |
| Sealing material | Silicone |
| Connection cross-section min. | 0.5 mm ² |
| Connection cross section max. | 2.5 mm ² |
| Contacts | 1 change-over contact |
| Weight | 1 kg |

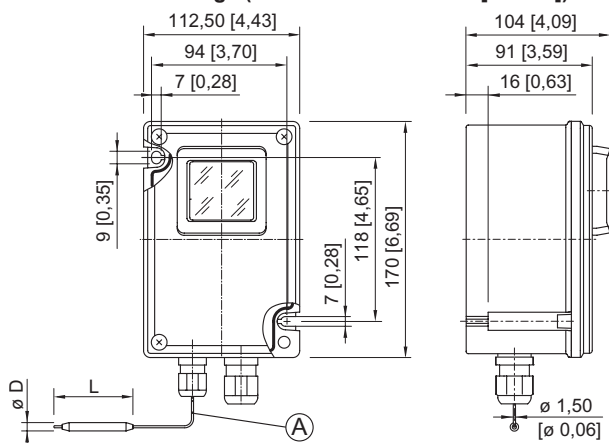
Mounting / Installation

| | |
|-----------------|-----------------------|
| Connection type | Spring clamp terminal |
|-----------------|-----------------------|

Components

| | |
|-------------------------------|---------------------|
| Drilled holes | 1 x M20 |
| Screw connections | 1 x M20 Ø 4 – 13 mm |
| Material of screw connections | Polyamide, black |

Dimensional Drawings (All Dimensions in mm [inches]) – Subject to Alterations



We reserve the right to make alterations to the technical data, dimensions, weights, designs and products available without notice. The illustrations cannot be considered binding.