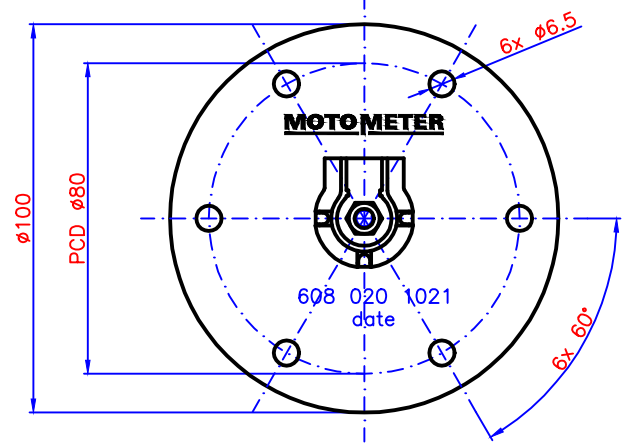
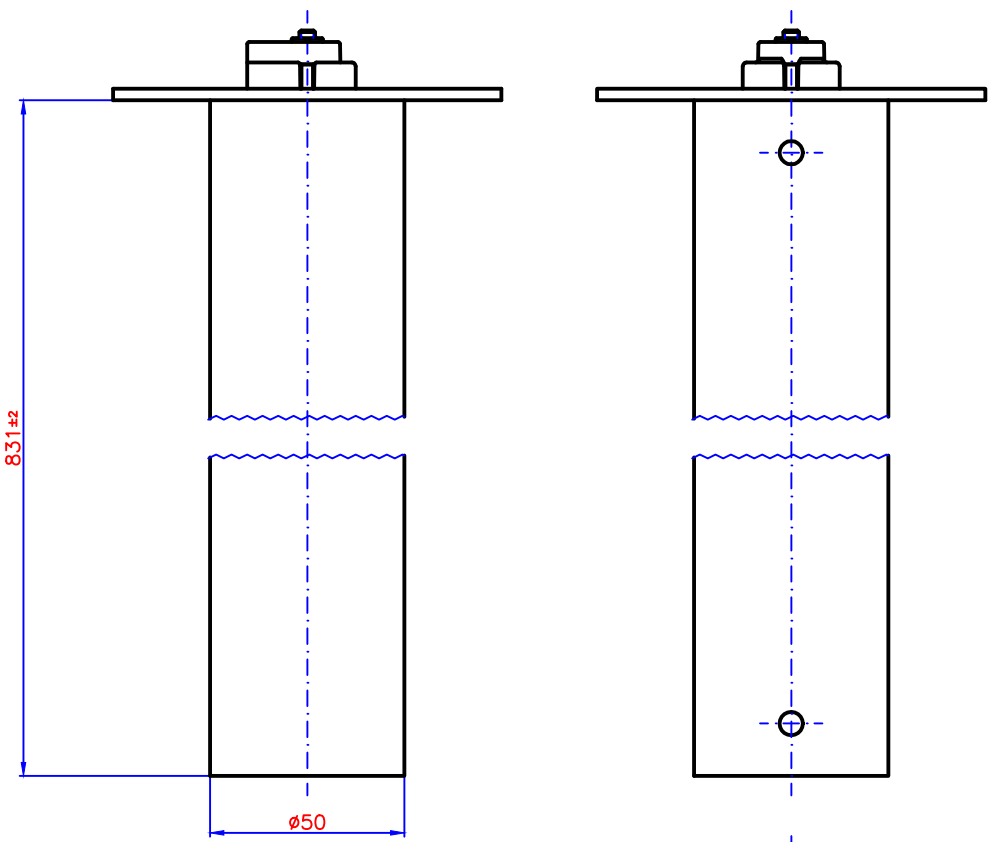


8 7 6 5 4 3 2 1



nominal load : Pmax = 300mW
 operating temperature : -40 ... +85°C (max -95°C max. 1h)
 usefull for : arktic diesel
 diesel (DIN EN 590)
 RME (DIN V 51606)
 gasoline
 kerosine
 methanol
 ethanol

marking : part number, manufacture date, MM–logo
 material : stainless steel 1.4401
 electrical connection : blade connector A 6.3x0.8 DIN 46244
 installation diameter : 55±1mm
 included : rubber seal, 6x screw M6x16
 mounting at the tank according connection B DIN 75 612

testing value table

	empty	full
compared resistance (Ω)	82.8±2.5	1.0±1.0

characteristic line lineare

pos.	ind.	kind of modification	date	name

MOTOMETER	date	21.04.17
	sig.	Augustin
	rev.	
for dimensions without tolerance indication: DIN ISO 2768 mittel	pass.	

customer number:

description:
fuel level sensor
 PCD 80 831mm

scale: - drawing number:
608 020 1021

8 7 6 5 4 3 2 1