

Fieldbus Power Supply

FieldConnex® Fieldbus

KLD2-FBPS-1.25.360

- Output: 25 ... 27 V/360 mA
- For most fieldbus applications
- High-power trunk for high device count and long cable lengths
- Installation in Zone 2/Class I, Div. 2
- For FOUNDATION Fieldbus H1
- Fixed, high-availability terminator
- No spacing required between modules

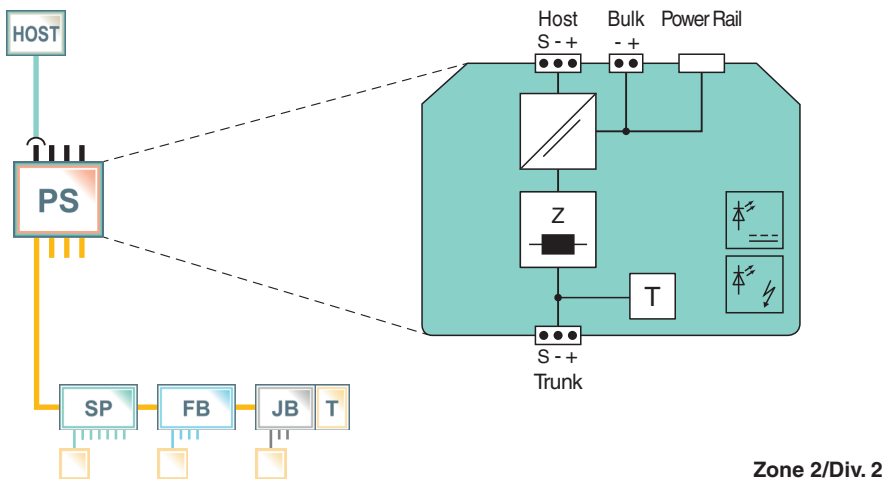
Fieldbus power supply for fieldbus power hub



Function

This fieldbus power supply is an all-in-one module for single fieldbus segments. It adapts current and voltage and provides the impedance filter required. Reliability of communication is enhanced through galvanic isolation between segment and bulk power supply. Power output is designed for long cable lengths and device counts suiting the needs of most fieldbus applications. Fieldbus couplers provide explosion protection for live work at the spur where needed. Availability and a long service life are achieved through a passive impedance filter and a design optimized for low heat dissipation. Modules can be mounted with no spacing required in any direction for an optimized and space-saving cabinet layout. The mobile Advanced Diagnostic Module connects directly to test plug sockets located on the plug-in terminal. In conjunction with the modular Segment Protector it is a perfectly expandable solution.

Connection



Technical Data

General specifications

Design / Mounting	Cabinet installation
Installation in hazardous area	Zone 2 / Div. 2

Supply

Connection		Power Rail or terminals 8+, 11+; 9-, 12-
Rated voltage	U_r	19.2 ... 35 V DC
Rated current	I_r	630 ... 340 mA
Power dissipation		typ. 2,0 W

Fieldbus connection

Number of segments	1
--------------------	---

Release date: 2024-09-20 Date of issue: 2024-09-20 Filename: 189514_eng.pdf

Refer to "General Notes Relating to Pepperl+Fuchs Product Information".

Pepperl+Fuchs Group
www.pepperl-fuchs.com

USA: +1 330 486 0002
pa-info@us.pepperl-fuchs.com

Germany: +49 621 776 2222
pa-info@de.pepperl-fuchs.com

Singapore: +65 6779 9091
pa-info@sg.pepperl-fuchs.com

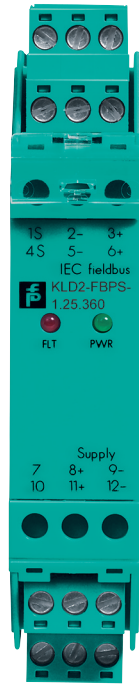
pf PEPPERL+FUCHS

Technical Data

Connection		terminals 3+, 6+; 2-, 5-; 1S, 4S (S=screen connection)
Rated voltage	U _N	25 ... 28 V
Rated current	I _N	360 mA
Galvanic isolation		
Fieldbus segment/Supply		functional insulation acc. to IEC 62103, rated insulation voltage 250 V AC
Directive conformity		
Electromagnetic compatibility		
Directive 2014/30/EU		EN 61326-1:2013
Standard conformity		
Electromagnetic compatibility		NE 21:2006
Degree of protection		IEC/EN 60529
Fieldbus standard		IEC 61158-2, ISA S 50.02 part 2
Shock resistance		EN 60068-2-27
Vibration resistance		EN 60068-2-6
Ambient conditions		
Ambient temperature		-40 ... 60 °C (-40 ... 140 °F)
Storage temperature		-40 ... 85 °C (-40 ... 185 °F)
Relative humidity		< 95 % non-condensing
Shock resistance		15 g 11 ms
Vibration resistance		1 g , 10 ... 150 Hz
Pollution degree		max. 2, according to IEC 60664
Corrosion resistance		acc. to ISA-S71.04-1985, severity level G3
Mechanical specifications		
Connection type		screw terminal , pluggable
Core cross section		up to 2.5 mm ²
Housing		20 mm x 115 mm x 107 mm
Housing material		Polycarbonate
Degree of protection		IP20
Mass		approx. 210 g
Mounting		DIN rail mounting
Data for application in connection with hazardous areas		
Certificate		TÜV 06 ATEX 553079 X
Marking		Ⓜ II 3G Ex ec IIC T4 Gc
Directive conformity		
Directive 2014/34/EU		EN 60079-0:2012 , EN 60079-7:2015
International approvals		
FM approval		
FM certificate		FM 19 US 0015 X and FM 19 CA 0011 X
FM marking		AEx/Ex ec IIC T4
Certificates and approvals		
Marine approval		DNV A-14038
General information		
Supplementary information		Observe the certificates, declarations of conformity, instruction manuals, and manuals where applicable. For information see www.pepperl-fuchs.com .

Release date: 2024-09-20 Date of issue: 2024-09-20 Filename: 189514_eng.pdf

Assembly



Release date: 2024-09-20 Date of issue: 2024-09-20 Filename: 189514_eng.pdf

Refer to "General Notes Relating to Pepperl+Fuchs Product Information".

Pepperl+Fuchs Group
www.pepperl-fuchs.com

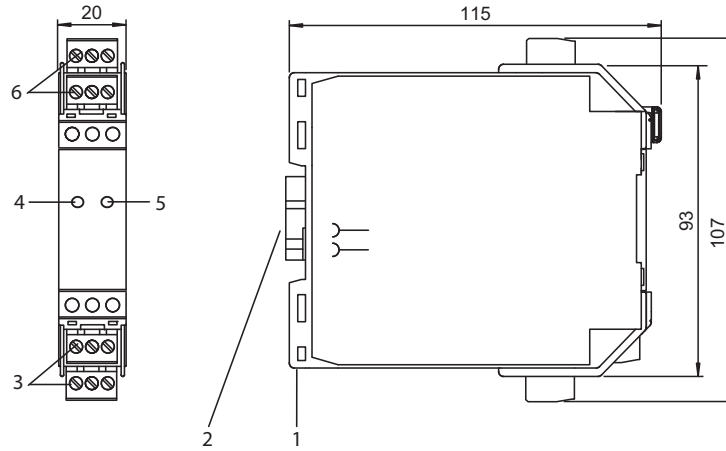
USA: +1 330 486 0002
pa-info@us.pepperl-fuchs.com

Germany: +49 621 776 2222
pa-info@de.pepperl-fuchs.com

Singapore: +65 6779 9091
pa-info@sg.pepperl-fuchs.com

Additional Information

Dimensions and Assembly



Description:

- 1 Extendable lugs
- 2 Protective cap, remove for power supply via Power Rail
- 3 Removeable terminals
- 4 LED red: Fault signal
- 5 LED green: Power supply
- 6 Test plug socket; removeable terminals

Indication

LED indicators:	Conditions
green ON red OFF	Device ready for operation
green OFF red OFF	Device not ready for operation
green OFF red 2 Hz flashing	OVERLOAD, load current > 400 mA typ.

Release date: 2024-09-20 Date of issue: 2024-09-20 Filename: 189514_eng.pdf

Refer to "General Notes Relating to Pepperl+Fuchs Product Information".