

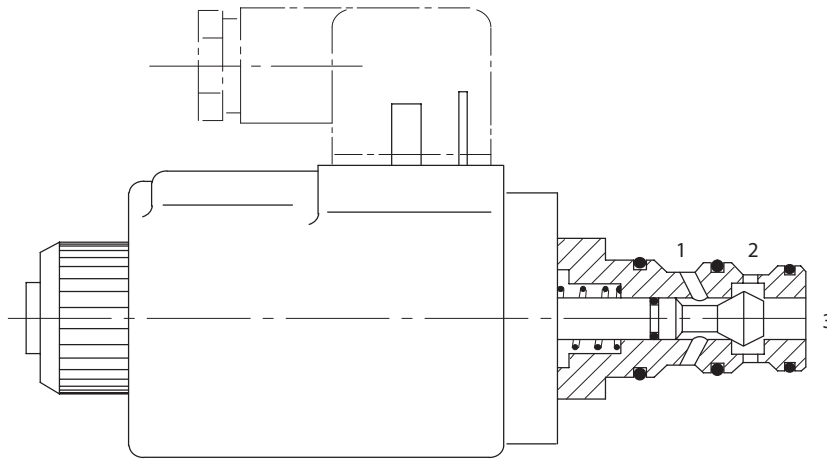


Solenoid Operated Poppet-Type Directional Control Valves

Cartridge Models CVUA-6-PD

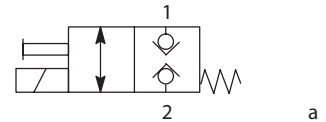
Gasket Mounted Models DG3/4VP-3

Construction of a Typical
3 Way/2 Position Cartridge Type
Valve, Model CVUA-6-PDN-3-M-U

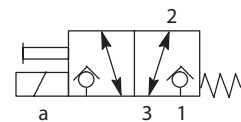


Functional Symbols

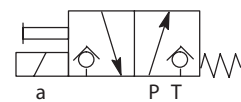
CVUA-6-PD*-2



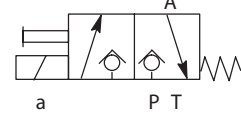
CVUA-6-PD*-3



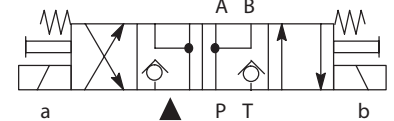
DG3VP-3-102A



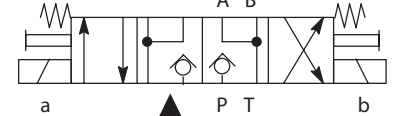
DG3VP-3-103A



DG4VP-3-104C

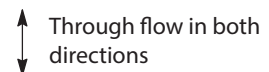


DG4VP-3-105C



▲ This spool position is achieved only when both solenoids are energized simultaneously and remain so.

Note: ○ No leakage in either direction



Basic Characteristics

Max. pressure 315 bar (4500 psi)
Max. flow rates Up to 20 L/min
(32 USgpm)

Mounting surface for
DG*VP models ISO 4401 size 03
NFA D01
DIN 24340 (NG6)

General Description

These new solenoid operated poppet valves are used mainly for starting, stopping and controlling the direction of linear and rotary actuators or for use as a pilot valve. The gasket mounted types can also be used for controlling the pilot functions of cartridge valves to ISO 7368 (DIN 24342) (see catalog 2378).

All valves are of a "zero leakage design" which is the major design feature of poppet-type valves. The valves are available as either gasket mounted or cartridge insert type. The latter requires a housing having a purpose-formed recess (see recess hole drawing and special tool note).

Advantages

- Zero internal leakage in closed position
- Fast consistent response times
- Cost-efficient high pressure capability
- Simple assembly and installation
- Fast and easy servicing

Model Codes

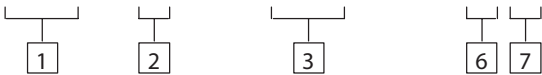
For CVUA Cartridge Valves

(F3-)CVUA-6-PD * - * -M-U- * -1*



For DG*VP Valves

(F3-)DG * VP-3- 10** -VM-U- * -1*



1 Prefix, fluid compatibility
 Blank = For petroleum oils, water glycols and invert emulsions
 F3 = For phosphate esters, petroleum oils, water glycols and invert emulsions

2 Function
 3 = Three-way
 4 = Four-way

3 Spool and spring arrangement
 102A = Normally open, spring offset; option for DG3VP models
 103A = Normally closed, spring offset; option for DG3VP models
 104C = Normally open, spring centered; option for DG4VP models
 105C = Normally closed, spring centered; option for DG4VP models

4 Mounting flange type
 N = Narrow thickness flange
 W = Wide thickness flange

5 Function
 2 = Two-way
 3 = Three-way

6 Coil rating
 B = 110 V AC 50/115 V AC 60
 D = 220 V AC 50/230 V AC 60
 G = 12 V DC
 H = 24 V DC

7 Design number, 10 series
 Subject to change. Installation dimensions unaltered for design numbers 10 to 19 inclusive.

For Electrical Plugs
 See "Installation Dimensions " section.

For Tool Kits for CVUA Valves
 See "Installation Dimensions " section.

For Mounting Subplates and Bolt Kits for DG*VP Models
 See catalogs 2425 and 2314.
 Note: CVUA valves are supplied complete with mounting flanges and metric fixing bolts.

Operating Data

Pressure and Flow Limits

Max. Pressure
 Non-F3-Prefix Models:
 For < 10 switching cycles/min 315 bar (4500 psi)
 For 10 to 180 switching cycles/min 210 bar (3000 psi)

F3-Prefix Models:
 Up to 180 switching cycles/min 210 bar (3000 psi)
 Note: For all valves lower limits may apply if high-water-based fluids (e.g. 5%/95% oil-in-water emulsions) are to be used; contact your Vickers representative.

Max. Flow Rate Up to 20 L/min (5.3 USgpm)

Control Data

Rated Power Supply
 See "Model Codes " section.

Power Consumption, AC Solenoids
 Inrush, max. ▲ VA 396
 Steady-state ▼ VA 198
 Holding VA 57
 All above values are RMS
 ▲ Armature fully retracted, 1st half-cycle.
 ▼ At start of normal working stroke of valve spool. Previously called "Inrush".

Power Consumption, DC Solenoids
 At rated voltage and wire temperature of 20 °C (68 °F) 38W

Relative Duty Factor
 100% continuous rating

Type of Protection
 Weatherproof to IEC 144 Class IP65
 Winding insulation to Class H
 Epoxy resin to Class F

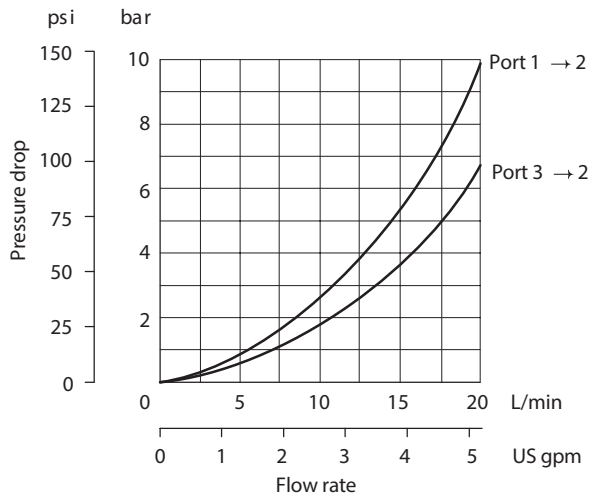
Permissible Voltage Fluctuation
 ± 5% of rated voltage

Performance Data

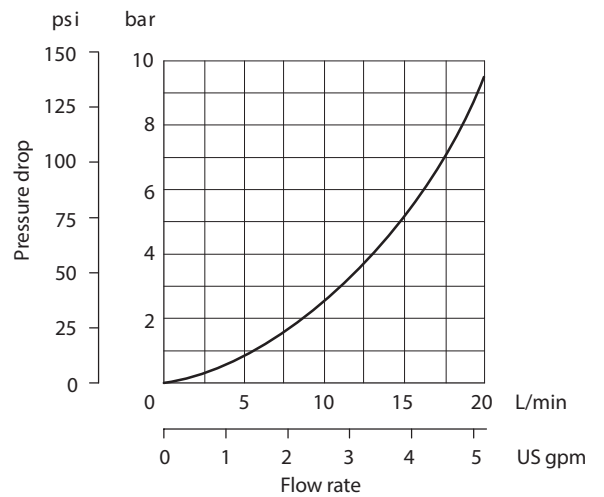
Pressure Drop Data

Typical with hydraulic petroleum oil at 36 cSt (170 SUS) and at 50 °C (122 °F)

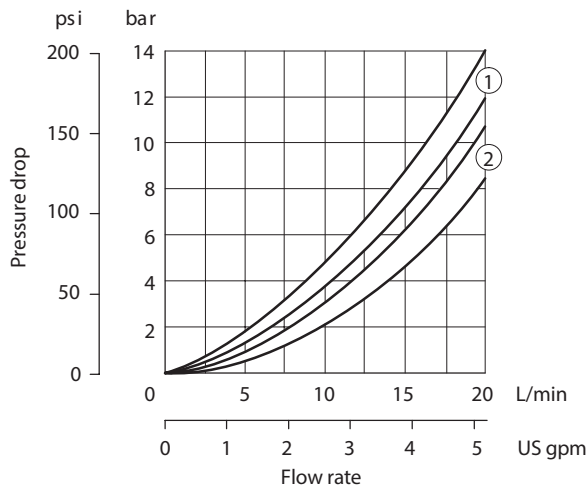
CVUA-6-PD*-3 Models



CVUA-6-PD*-2 Models



DG3VP-3 and DG4VP-3 Models



Model	Curve for flow:			
	P to A	P to B	A to T	B to T
DG3VP-3-102A	②	—	①	—
DG3VP-3-103A	①	—	②	—
DG4VP-3-104C	②	②	①	①
DG4VP-3-105C	①	①	②	②

Response Times

Time taken from when signal is first applied at solenoid until armature completes its travel. Based on average conditions with warm solenoids at 95% rated voltage:

AC and DC energizing 150 ms
AC and DC* de-energizing 85 ms

* In pure switched circuit conditions devoid of the effects of any suppression diodes and full-wave rectifiers.

Hydraulic Fluids

All valves can be used with anti-wear hydraulic oils, water-in-oil emulsions and water glycols. Add prefix "F3" to model designation when phosphate ester (not alkyl-based) or chlorinated hydrocarbons are to be used.

The valves are also suitable for use with high water-based fluids (95% water, 5% oil) up to 200 bar.

The extreme operating viscosity range is from 300 to 13 cSt (1460 to 70 SUS) but the recommended running range is 54 to 13 cSt (250 to 70 SUS).

For further information about fluids see catalog 920.

Temperature Limits

Ambient min. -20 °C (-4 °F)
Ambient max. +70 °C (158 °F)

Fluid temperature

	Petroleum oil	Water-containing
Min.	-20 °C (-4 °F)	+10 °C (+50 °F)
Max.*	+70 °C (+158 °F)	+54 °C (+130 °F)

* To obtain optimum service life from both fluid and hydraulic system, 65 °C (150 °F) normally is the maximum temperature except for water-containing fluids.

For synthetic fluids consult manufacturer and your Danfoss representative where limits are outside those for petroleum oil.

Whatever the actual temperature range, ensure that viscosities stay within the limits specified in the "Hydraulic Fluids" section.

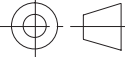
Contamination Control Requirements

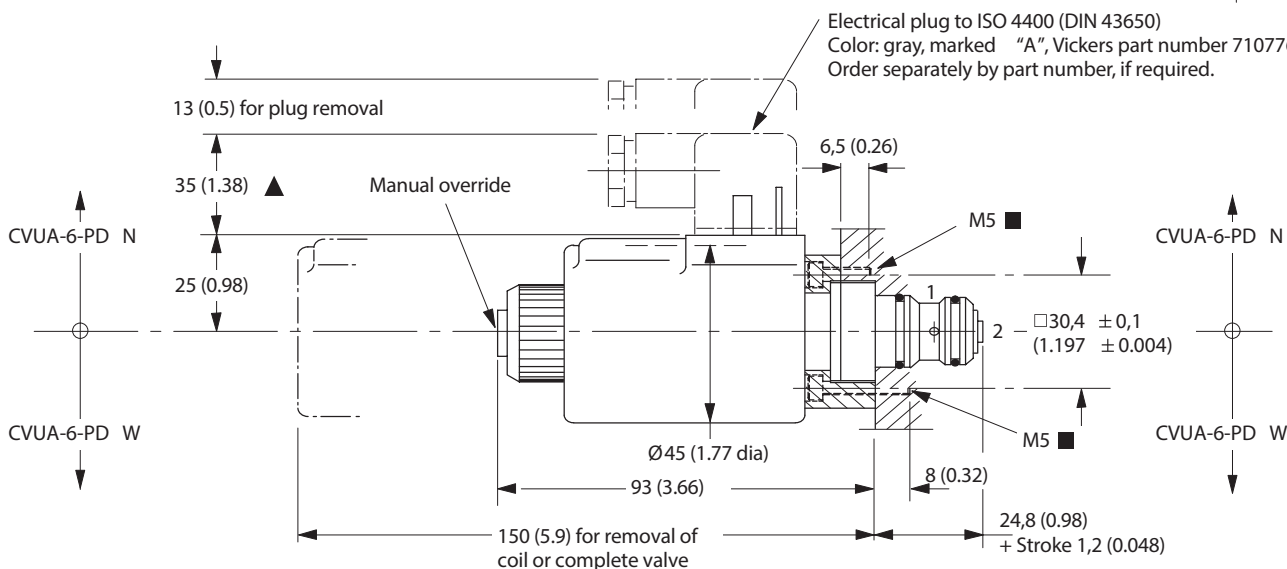
Recommendations on contamination control methods and the selection of products to control fluid condition are included in Vickers by Danfoss publication 9132 or 561, "Vickers Guide to Systemic Contamination Control". The book also includes information on the Vickers by Danfoss concept of "ProActive Maintenance". The following recommendations are based on ISO cleanliness levels at 2 µm, 5 µm and 15 µm. For products in this catalog the recommended levels are:

Up to 210 bar (3050 psi) 20/ 18/15
Above 210 bar (3050 psi) 19/ 17/14

Installation Dimensions in mm (inches)

Model Types:
CVUA-6-PDN-2 and CVUA-6-PDW-2

3rd angle projection 



▲ May vary depending on plug source. ■ Torque to 4-6 Nm (35-53 lbf.in)

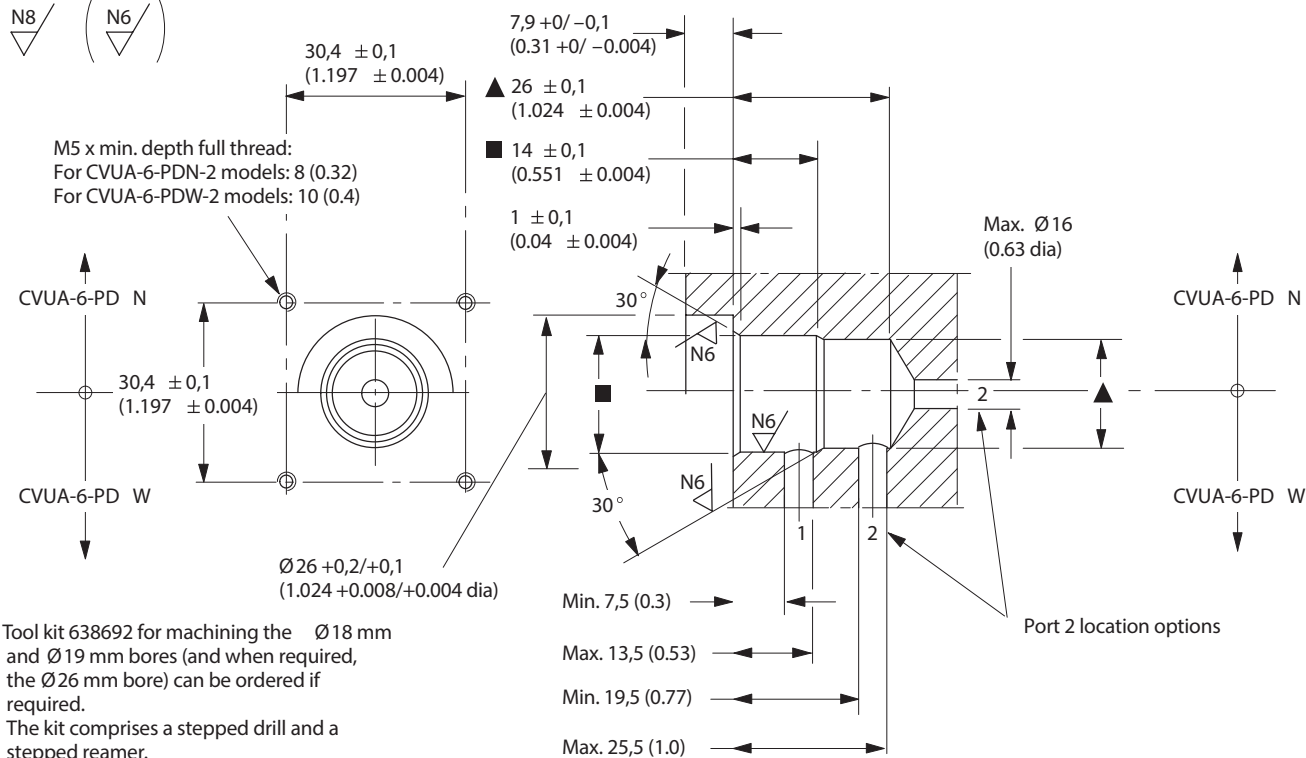
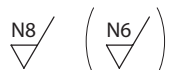
Recess Dimensions

Notes (metric dimensions)

- ▲ Ø18 +0/-0,2 x 26 ±0,1 deep:
Ream Ø18 H7 x 20 deep min. ◆
- Ø19 +0/-0,2 x 14 ±0,1 deep:
Ream Ø19 H7 x 8 deep min. ◆

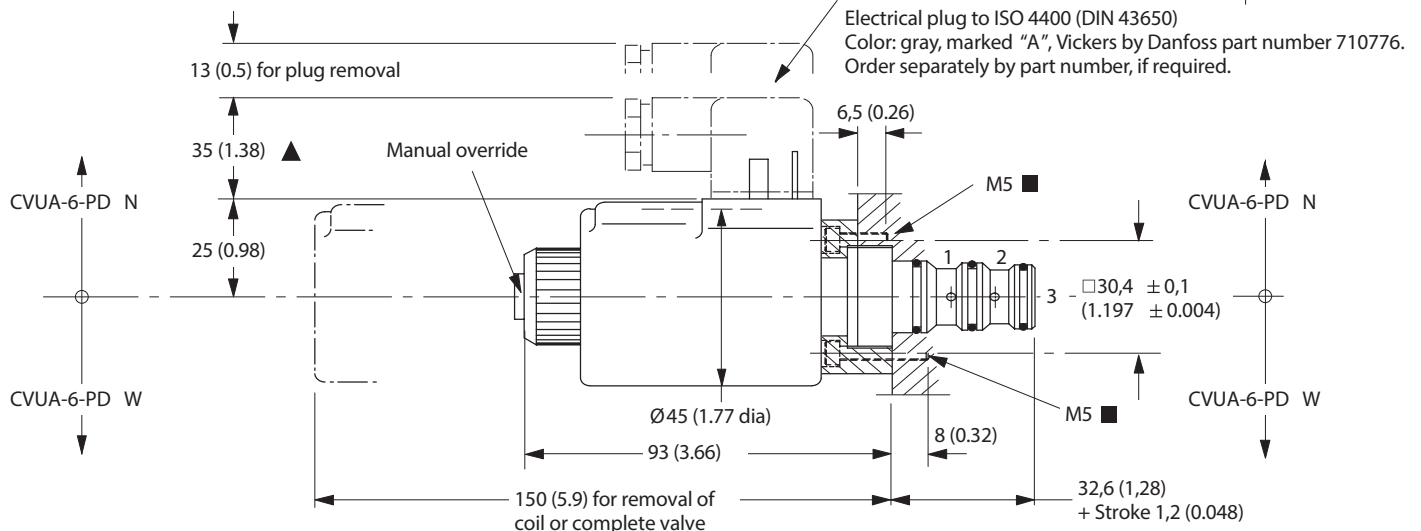
Notes (inch dimensions)

- ▲ Diameter 0.709 +0/-0.008 x 1.024 ±0.004 deep:
Ream Ø18 mm H7 x 0.79 deep min. ◆
- Diameter 0.748 +0/-0.008 x 0.551 ±0.004 deep:
Ream Ø19 mm H7 x 0.32 deep min. ◆



◆ Tool kit 638692 for machining the Ø18 mm and Ø19 mm bores (and when required, the Ø26 mm bore) can be ordered if required.
The kit comprises a stepped drill and a stepped reamer.

Model Types:
CVUA-6-PDN-3 and CVUA-6-PDW-3



▲ May vary depending on plug source.

■ Torque to 4-6 Nm (35-53 lbf.in)

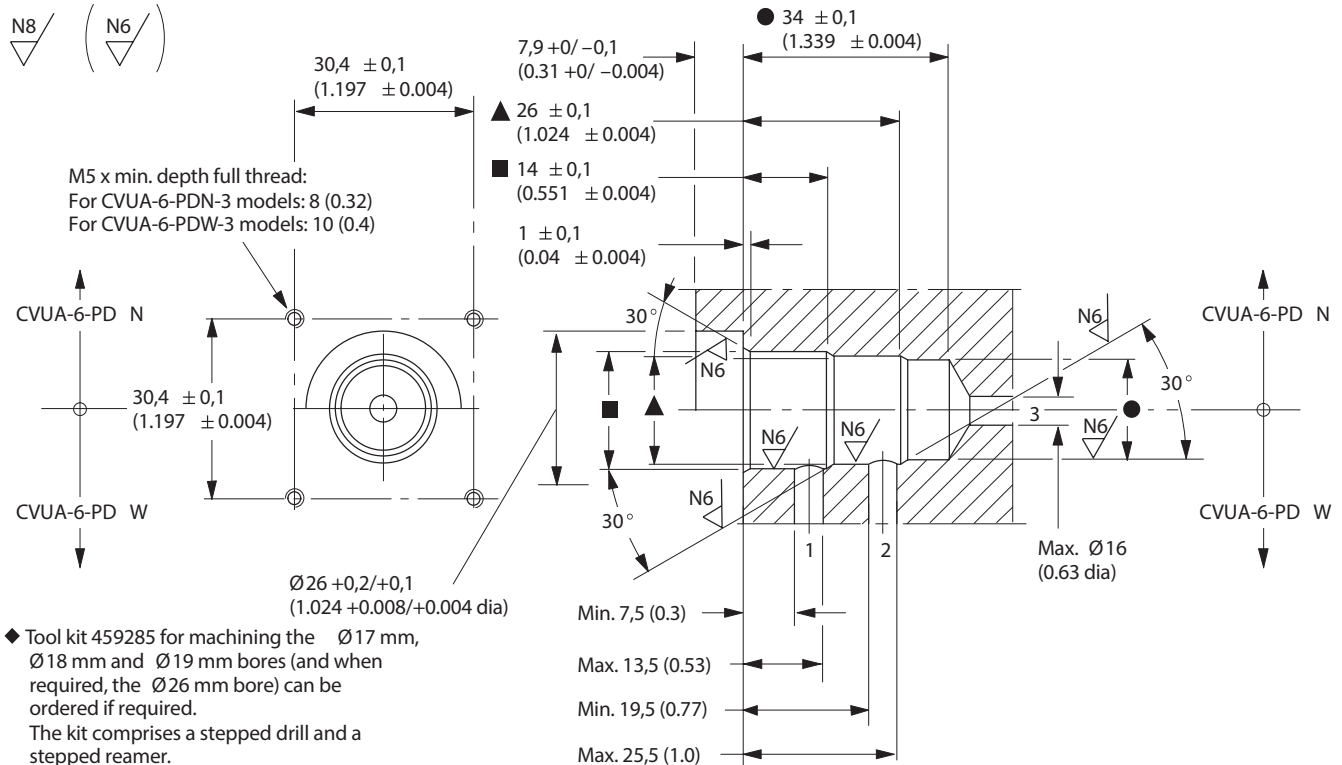
Recess Dimensions

Notes (metric dimensions)

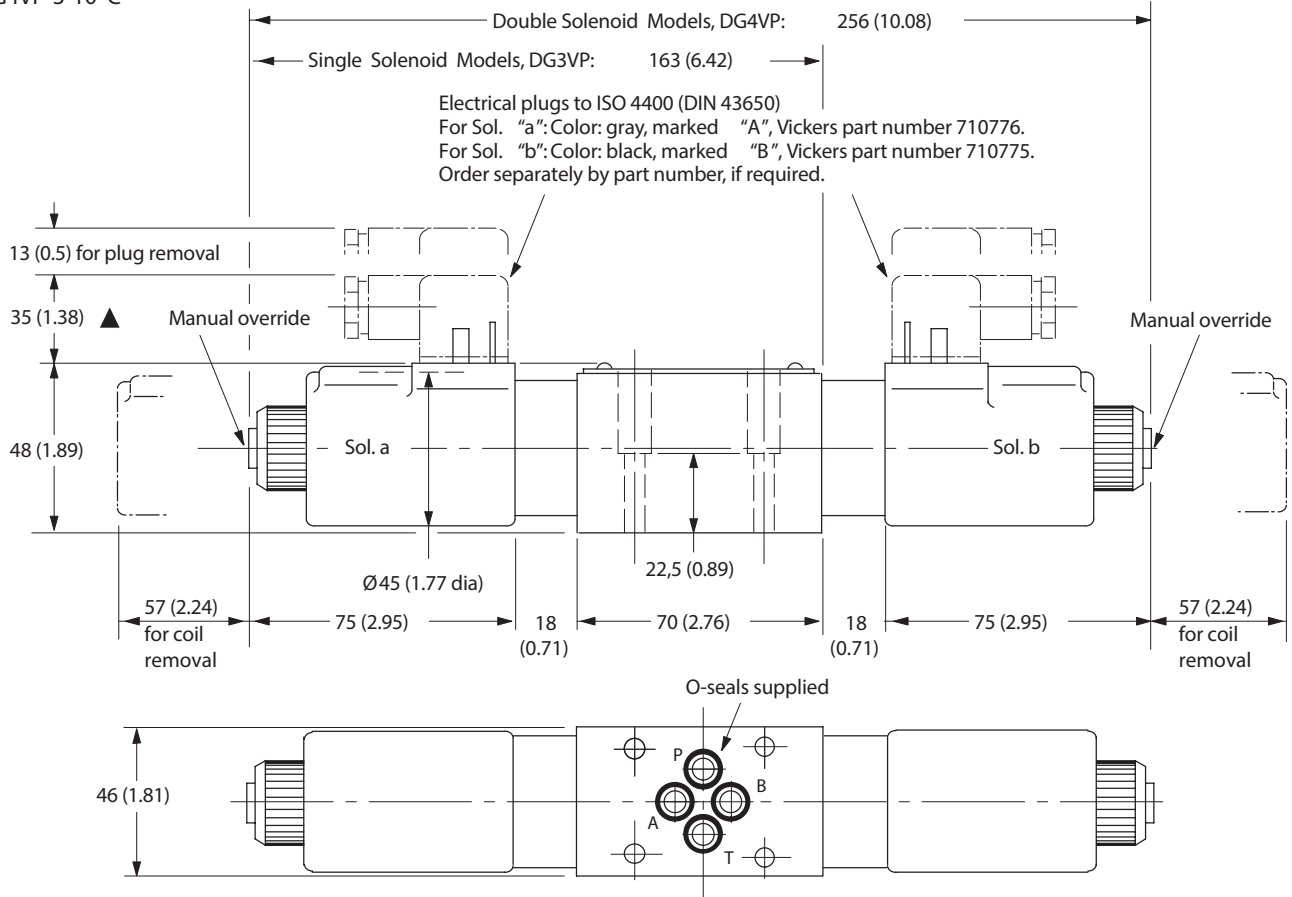
- Ø17 +0/-0,2 x 34 ± 0,1 deep:
Ream Ø17 H7 x 32,5 deep min. ◆
- ▲ Ø18 +0/-0,2 x 26 ± 0,1 deep:
Ream Ø18 H7 x 20 deep min. ◆
- Ø19 +0/-0,2 x 14 ± 0,1 deep:
Ream Ø19 H7 x 8 deep min. ◆

Notes (inch dimensions)

- Diameter 0.669 +0/-0.008 x 1.339 ± 0.004 deep:
Ream Ø17 mm H7 x 1.28 deep min. ◆
- ▲ Diameter 0.709 +0/-0.008 x 1.024 ± 0.004 deep:
Ream Ø18 mm H7 x 0.79 deep min. ◆
- Diameter 0.748 +0/-0.008 x 0.551 ± 0.004 deep:
Ream Ø19 mm H7 x 0.32 deep min. ◆



Model Types:
 DG3VP-3-10*A and
 DG4VP-3-10*C



For details of mounting interface to ISO 4401, size 03, see catalog 2425.
 For details of Vickers by Danfoss mounting bolt kits, see catalog 2314.

Mass, Approx. kg (lb)

CVUA-6-PD*-2-M-U-*-10	...0,85 (1.9)
CVUA-6-PD*-3-M-U-*-10	...0,86 (1.9)
DG3VP-3-10*A-VM-U-*-10	..1,75 (3.8)
DG4VP-3-10*C-VM-U-*-10	..2,50 (5.5)

Spare Parts Information

The only replacement parts available for these valves are as follows:

Seal kit	Part number
F3-prefix valves	638532
Non-F3 valves	992686

Solenoid Coils

Coil code	Coil rating	Part number
B	110V AC 50/115V AC 60	617947
D	220V AC 50/230V AC 60	617948
G	12V DC	617945
H	24V DC	617946

Electrical Plugs, ISO 4400 (DIN 43650)

Gray, marked "A"	710775
Black, marked "B"	710776

Tool Kits

For machining housing bores for:	
CVUA-6-PD*-2 valvesKit 638692
CVUA-6-PD*-3 valvesKit 459285

Ordering Procedure

Order by full model designation or part number e.g.
 CVUA-6-PDN-2-M-U-B-10 valve
 710775 plug, gray marked "A"
 638692 tool kit.

Products we offer:

- Cartridge valves
- DCV directional control valves
- Electric converters
- Electric machines
- Electric motors
- Gear motors
- Gear pumps
- Hydraulic integrated circuits (HICs)
- Hydrostatic motors
- Hydrostatic pumps
- Orbital motors
- PLUS+1® controllers
- PLUS+1® displays
- PLUS+1® joysticks and pedals
- PLUS+1® operator interfaces
- PLUS+1® sensors
- PLUS+1® software
- PLUS+1® software services, support and training
- Position controls and sensors
- PVG proportional valves
- Steering components and systems
- Telematics

Danfoss Power Solutions is a global manufacturer and supplier of high-quality hydraulic and electric components. We specialize in providing state-of-the-art technology and solutions that excel in the harsh operating conditions of the mobile off-highway market as well as the marine sector. Building on our extensive applications expertise, we work closely with you to ensure exceptional performance for a broad range of applications. We help you and other customers around the world speed up system development, reduce costs and bring vehicles and vessels to market faster.

Danfoss Power Solutions – your strongest partner in mobile hydraulics and mobile electrification.

Go to www.danfoss.com for further product information.

We offer you expert worldwide support for ensuring the best possible solutions for outstanding performance. And with an extensive network of Global Service Partners, we also provide you with comprehensive global service for all of our components.

Local address:

Hydro-Gear

www.hydro-gear.com

Daikin-Sauer-Danfoss

www.daikin-sauer-danfoss.com

Danfoss Power Solutions (US) Company
2800 East 13th Street
Ames, IA 50010, USA
Phone: +1 515 239 6000

Danfoss Power Solutions GmbH & Co. OHG
Krokamp 35
D-24539 Neumünster, Germany
Phone: +49 4321 871 0

Danfoss Power Solutions ApS
Nordborgvej 81
DK-6430 Nordborg, Denmark
Phone: +45 7488 2222

Danfoss Power Solutions Trading (Shanghai) Co., Ltd.
Building #22, No. 1000 Jin Hai Rd
Jin Qiao, Pudong New District
Shanghai, China 201206
Phone: +86 21 2080 6201

Danfoss can accept no responsibility for possible errors in catalogues, brochures and other printed material. Danfoss reserves the right to alter its products without notice. This also applies to products already on order provided that such alterations can be made without subsequent changes being necessary in specifications already agreed. All trademarks in this material are property of the respective companies. Danfoss and the Danfoss logotype are trademarks of Danfoss A/S. All rights reserved.