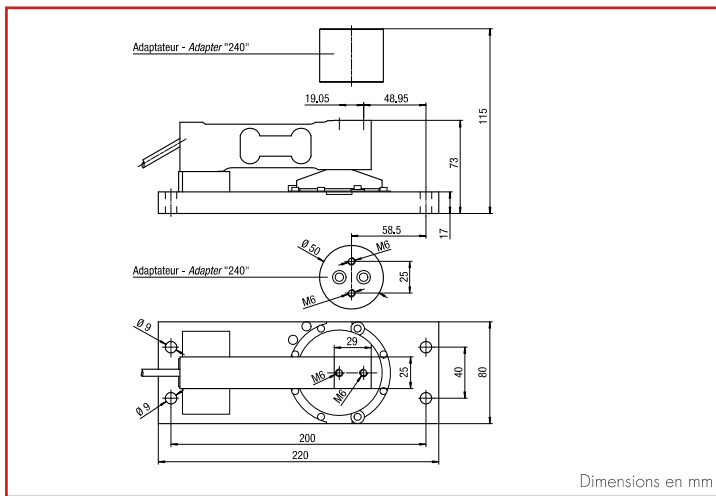


SPEEDCELL AG

5 kg ... 50 kg



- FOR SPARE PART ONLY



Dimensions en mm

+ Excit.: Brown | + Sign.: Yellow | - Sign.: White | - Excit.: Green | + Sense: Grey | - Sense: Pink



Load cell sold separately

Signal at FS: 2 mV/V ±10 %
 Combined error: ±0.017 %FS
 Impedance (in/out): 410 Ω ±20 / 350 Ω ±5
 Compensated temperature range: -10 ... +40°C
 Platform size: up to 400 x 400 mm
 Cable/length: 6 wires / 3 m
 Warranty: 1 year

Replace: TH 240 (with "240" adaptor)

P/N	Designation	FS	V _{min.}	DC
803759	LOAD CELL AG5 C3 SH 5e SPCL	5 kg	1 g	R1
803760	LOAD CELL AG10 C3 SH 5e SPCL	10 kg	2 g	R1
803761	LOAD CELL AG15 C3 SH 5e SPCL	15 kg	3 g	R1
803762	LOAD CELL AG20 C3 SH 5e SPCL	20 kg	4 g	R1
803763	LOAD CELL AG30 C3 SH 5e SPCL	30 kg	6 g	R1
803776	LOAD CELL AG50 C3 SH 5e SPCL	50 kg	10 g	R1
Options:				
850203	OPTIONAL PROTECTIVE COATING			R1
SP/OL	ATEX TEST OR MARKING FOR AFTERSALES LOAD CELLS: Consult us			
850278	FACTORY MUTUAL MARKING FOR SCAIME LOAD CELLS IN HAZARDOUS AREAS			R2
Accessories:				
803744	"240" ADAPTOR FOR AG			R1
803769	STAINLESS STEEL COVER FOR SPEEDCELL			R1

FS: rated capacity / v min = minimal interval (according to cert. OIML R60) / C.E. = Combined error in % of FS / DC = Code put back