



Cartridge Valves Technical Information

Solenoid Valves

2-Way, 2-Position Poppet

EVH 06/D5



OPERATION

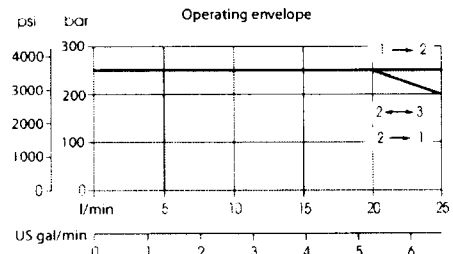
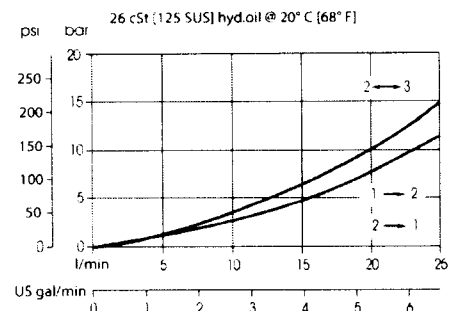
This is a direct-acting, 2-position, 3-way, poppet-type solenoid valve.

SPECIFICATIONS

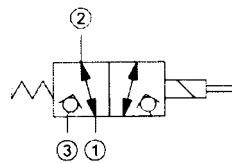
Specifications

Rated pressure	230 bar [3300 psi]
Rated flow at 7 bar [100 psi]	20 l/min [5 US gal/min]
Weight	0.44 kg [0.97 lb]
Cavity	NCS06/3
Standard Coil	M16 26 Watt
Robust Coil	R16 20 Watt Robust Nut P/N 173804910 (no coil O-rings needed)

Theoretical performance



Schematic



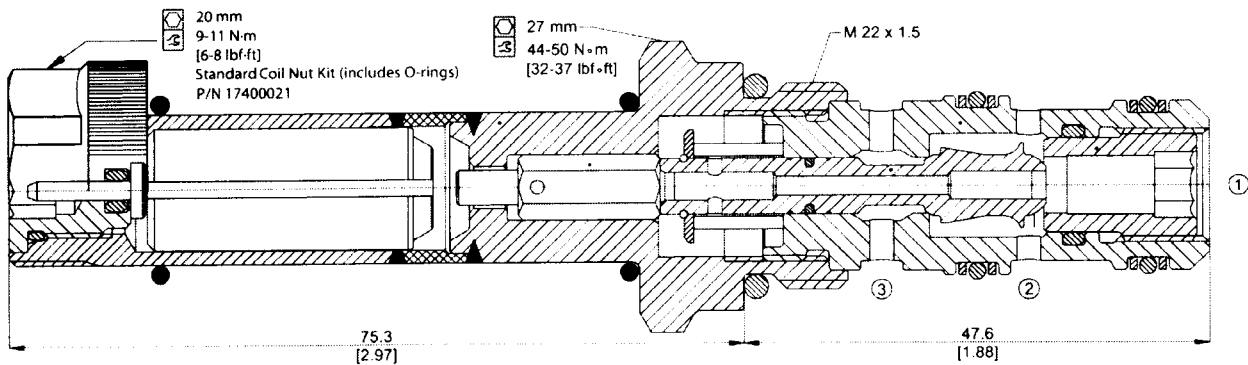
P103 536

P103 616E

DIMENSIONS

mm [in]

Cross-sectional view



P103 611

ORDERING INFORMATION

EVH 06/D5-12D-DN-00-V

Coil voltage
00 = No Coil
12D = 12 VDC (Standard Coil)
24D = 24 VDC (Standard Coil)
R12D = 12 VDC (R-Coil)
R24D = 24 VDC (R-Coil)
Coil termination:
00 = No Coil
FL = Flying Lead
AJ = Amp Junior *
DN = DIN 43650 *
DE = Deutsch
AS = AMP SuperSeal 1.5 and Metri-Pack 150 type 1

Seals Seal kit
Omit = Buna 230000110
V = Viton 230000070

Body and ports
00 = Cartridge only
SE3/8 = Al, 3/8 BSP
SE1/2 = Al, 1/2 BSP
SE6S = Al, #6 SAE
SE8S = Al, #8 SAE
Other housings available

Body Nomenclature
No Body
NCS06/3-SE-3/8
NCS06/3-SE-1/2
NCS06/3-SE-6S
NCS06/3-SE-8S

P103 619E

* These terminations are not available on robust coil (R12D, R24D)