

# Flow Control Valve Series ASC



### ◆ How to Order



#### Port size

06	1/8	08	1/4	10	3/8	15	1/2
----	-----	----	-----	----	-----	----	-----

#### Series

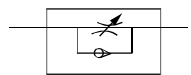
100	100 Series	200	200 Series	300	300 Series
-----	------------	-----	------------	-----	------------

#### Model

ASC	Flow Control Valve
-----	--------------------



Symbol

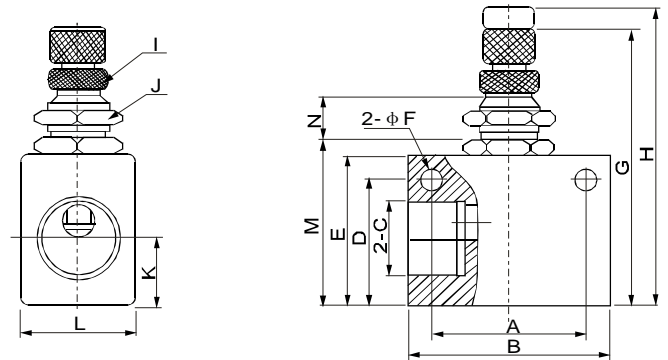


### ◆ Specifications

Model	ASC100-06	ASC200-08	ASC300-10	ASC300-15
Fluid	Air			
Port size	1/8	1/4	3/8	1/2
Operating pressure range	0.05~0.95 MPa			
Proof pressure	1.5 MPa			
Ambient and fluid temperature	-5~60°C(No freezing)			

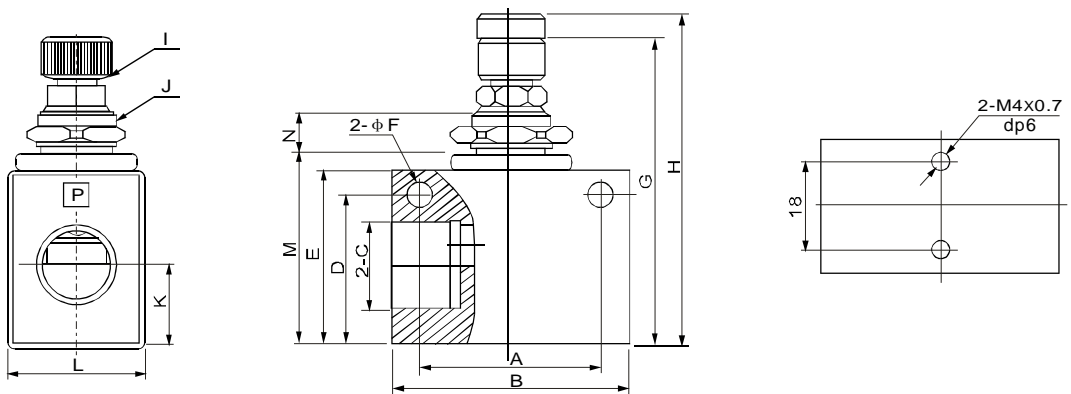
### ◆ Dimensions

ASC100-06  
ASC200-08



Item/Model	A	B	C	D	E	F	G	H	I	J	K	L	M	N
ASC100-06	22	32	1/8	18	23	4.3	46.8	52.3	M6×0.5	M12×0.75	10	18	26	8.6
ASC200-08	26	36	1/4	23	27	4.3	50.8	56.3	M6×0.5	M12×0.75	13.5	18	30	8.6

ASC300-10  
ASC300-15



Item/Model	A	B	C	D	E	F	G	H	I	J	K	L	M	N
ASC300-10	35	50	3/8	32	37	5.3	65	74	M8×0.75	M16×1	17.5	28	40.5	10.2
ASC300-15	35	50	1/2	32	37	5.3	65	74	M8×0.75	M16×1	17.5	28	40.5	10.2

- II
- VF
- SY
- SYJ
- 4V100
- 4V200
- 4V300
- 4V400
- VT307
- VP
- 3V
- 2W
- 2WH
- 2L
- 2V
- 2P
- VFA
- SYA
- 4A100
- 4A200
- 4A300
- 3A100
- 3A200
- 3A300
- 3L
- 4L
- 4H
- SL,SH
- 4HV
- HV,K
- 3FM
- 3F
- 4F
- FV
- MSV
- MOV
- JM
- TAC
- HSV
- RE
- ASC
- KA
- ACV
- KS
- QE
- Manifold